

Renovent Sky 150 (Plus)



INSTALLATION INSTRUCTIONS (English)

Air for Life

BRINK

Air for life

WWW.BRINKAIRFORLIFE.NL

614411-N



Renovent Sky 150 (Plus)



STORE NEAR THE APPLIANCE

This appliance may be used by children as of 8 years of age, persons with reduced physical or mental capacities, and persons with limited knowledge and experience if they are supervised or have received instructions on how to use the appliance safely and are aware of the possible dangers.

Children younger than 3 years of age must be kept away from the appliance, unless they are under constant supervision.

Children between the ages of 3 and 8 may only switch the appliance on or off, but only if supervised or if they have received clear instructions on the safe use of the appliance and understand the possible dangers, on the condition that the appliance has been placed and installed in the normal position for use. Children between the ages of 3 and 8 may not insert the plug into the socket, nor clean or make changes to the settings of the appliance, nor carry out any maintenance on the appliance that would normally be carried out by the user. Children may not play with the appliance.

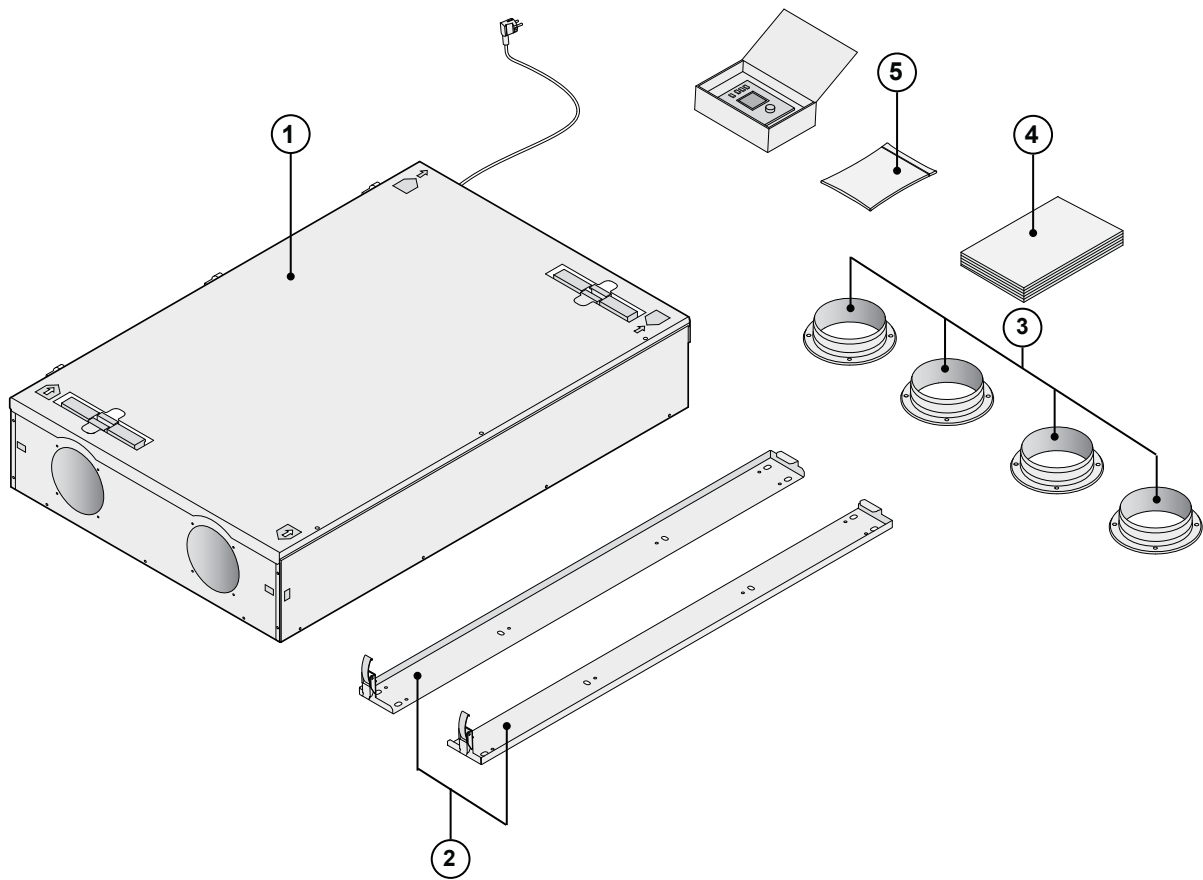
If you need a new power cable, always order the replacement from Brink Climate Systems B.V. To prevent dangerous situations, a damaged mains connection must only be replaced by a qualified expert!

GB

The logo for Brink, featuring the word 'BRINK' in a bold, black, sans-serif font. The text is enclosed within a red rectangular border that has a slight 3D effect, with the top and bottom bars being thicker than the side bars.

	page
1	Delivery 1
1.1	Scope of delivery 1
1.2	Accessories Renovent Sky 150..... 2
2	Application 4
3	Version 5
3.1	Technical information..... 5
3.2	Connections and dimensions 6
3.3	Fan graph 6
3.4	Exploded view appliance 7
4	Operation 8
4.1	Description..... 8
4.2	Bypass conditions..... 8
4.3	Frost protection..... 8
4.4	Renovent Sky Plus version..... 8
5	Installation 9
5.1	Installation general 9
5.2	Placing the appliance 9
5.2.1	Placing the appliance for ceiling mounting 10
5.2.2	Placing the appliance for wall mounting 11
5.3	Connecting the condensate discharge 12
5.4	Electric connections..... 15
5.4.1	Connection of the power plug..... 15
5.4.2	“Brink Air control” connection..... 15
6	Display 16
6.1	Switching the appliance on and off..... 16
6.2	General explanation “Brink Air control” 16
6.3	View on Display 17
6.4	Main menu 18
6.4.1	Device information menu..... 19
6.4.2	Basic settings menu 20
6.4.3	Installer menu 21
7	Fault 22
7.1	Trouble shooting..... 22
7.2	Display codes 23
8	Maintenance 24
8.4	User maintenance 24
8.2	Maintenance Installer 26
9	Elektric diagram 30
9.1	Wiring diagram 30
10	Electric connections accessories 31
10.1	Connections connectors..... 31
10.2	Wireless remote control..... 31
10.3	Coupling several appliances..... 32
10.4	Connection RH (humidity)-sensor 32
10.5	Connection postheater or extra preheater..... 33
10.6	Connection geo heat exchanger..... 34
10.7	Connecting external switch contact..... 35
10.8	Connection to 0-10 V input..... 35
11	Service 36
11.1	Exploded view 36
11.2	Service articles 36
12	Setting values 38
13	ErP values 40
	Declaration of conformity..... 42
	Recycling 43

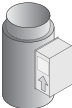
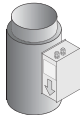
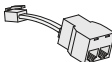

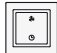

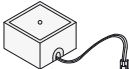

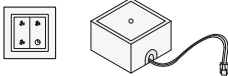
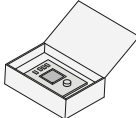
1.1 Scope of delivery

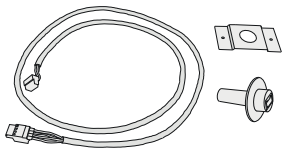
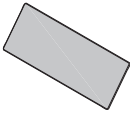
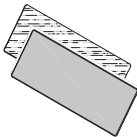
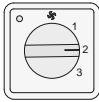
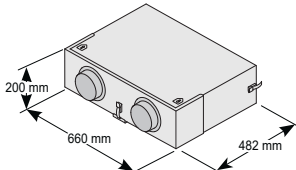
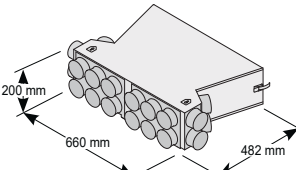
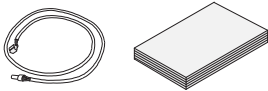


Before starting installation of the heat recovery unit, check that it has been supplied complete and undamaged.
The scope of delivery of the heat recovery unit Renovent Sky 150 includes the following components:

- | | |
|-------------------------------|---|
| 1: Heat recovery appliance | |
| 2: Wall mounting bracket kit; | - 2x suspension strips |
| 3: Duct connecting kit; | - 4x collars Ø125 mm |
| 4: Documentation set; | - 1x installation instructions |
| 5: Connecting kit; | - Mounting material collars, including 16 fixation screws |
| | - Connectors : 2-pole screw connector (eBus) and 9-pole screw connector (only for Plus version) |
| | - Condensate discharge connection with 3/4" mail thread x 32 mm |

1.2 Accessories Renovent Sky 150

Electric postheater		310730
Electric (extra) preheater		310740
Splitter RJ12		510472
CO ₂ sensor eBus surface-mounted		532126
Transmitter wireless remote control 2 positions (with. battery)		532170
Transmitter wireless remote control 4 positions (with. battery)		532171
Receiver wireless remote control (for battery version)		532172
Kit wireless remote control 2 positions (1 transmitter & 1 receiver)		532173
Kit wireless remote control 4 positions (1 transmitter & 1 receiver)		532174
Brink Air control		510498

<p>RH (humidity)-sensor</p>		<p>310657</p>
<p>Filter kit 1x ISO ePM 1 50% (F7) filter</p>		<p>533001</p>
<p>Filter kit 1x ISO Coarse 60% (G4) & 1x ISO ePM 1 50% (F7)</p>		<p>533002</p>
<p>4-way switch with filter indication; flush mounted; modular connection.</p>		<p>540262</p>
<p>Silencer box Ø125 mm (2x)</p>		<p>423010</p>
<p>Silencer- / air distribution box Ø75 mm (20x)</p>		<p>423011</p>
<p>Servicetool</p>		<p>531961</p>

The Brink Renovent Sky 150 is a ventilation unit with heat recovery with a maximum ventilation capacity of 150 m³/h and low-energy fans.

Features Renovent Sky:

- steplessly adjustable air flow rates through a “Brink Air control” (option).
- filter indication on the “Brink Air control” / multiple switch.
 - a completely new intelligent frost protection system which ensures that also at low outdoor temperatures the appliance’s performance remains optimal and that, if necessary, it activates the standard preheater.
- low sound level
- comes as standard with automatic bypass valve
- constant flow control
- low energy consumption
- high efficiency

Renovent Sky 150 is available in two types:

- **“Renovent Sky 150”**
- **“Renovent Sky 150 Plus”**

Compared to the Renovent Sky 150, the Renovent Sky 150 Plus has a more extensive control board which increases the connection options.

These installation instruction describe both the standard Renovent Sky 150 and the Renovent Sky 150 Plus.

With the aid of the supplied mounting brackets, the Renovent Sky 150 (Plus) can be mounted either on the wall or on the ceiling. For the correct position of the connection ducts and dimensions see §3.2.

When ordering an appliance always state the correct type; subsequent conversion to a different version is highly labour-intensive.


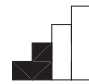



The Renovent Sky 150 comes ready to plug in with a 230 V mains plug.

The appliance comes not standard with a “Brink Air control”, connection of a simple 4-way switch is possible as well.

If a 4-way switch is installed instead of a “Brink Air control”, the settings of the appliance can only be changed with a laptop!

Connecting a combination of “Brink Air control” and multiple switch is another option.

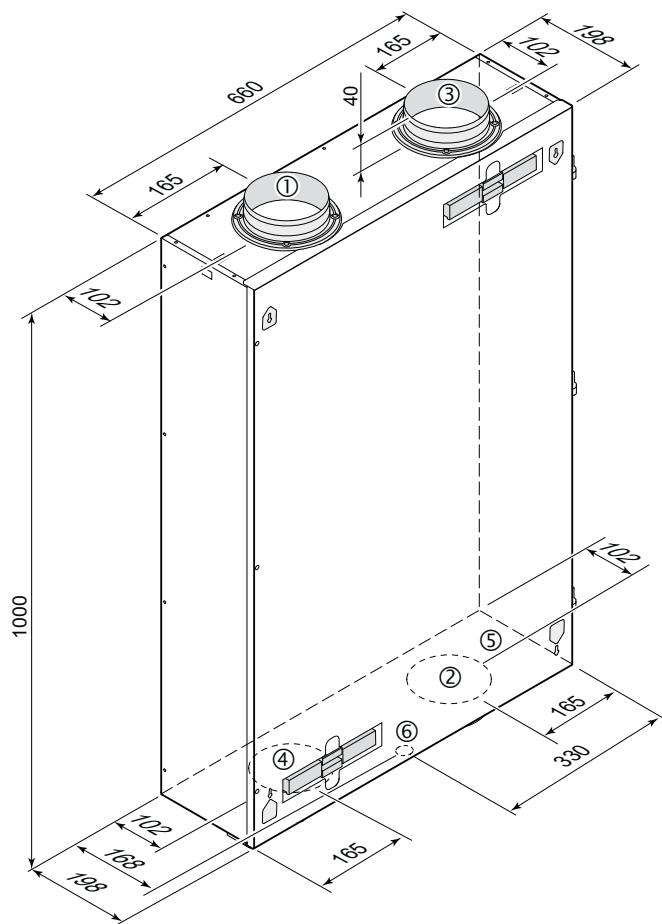
3.1 Technical information





		Renovent Sky 150				
Supply voltage [V/Hz]		230/50				
Protection degree		IP20				
Dimensions (w x d x h) [mm]		1000 x 660 x 198				
Duct diameter [mm]		Ø125				
External diameter condensate discharge ["]		3/4				
Weight [kg]		24,5				
Filter class		ISO Coarse 60% (G4)				
Fan setting (factory setting) - "Brink Air control"						Max.
	- 4-way switch		1	2	3	
Ventilation capacity [m³/h]		30	75	100	125	150
Permissible resistance ducts system [Pa]		2 - 6	13 - 38	22 - 66	35 - 105	50 - 150
Rated power (excl. preheater) [W]		11 - 12	19 - 27	27 - 37	38 - 52	53 - 72
Rated current (excl. preheater) [A]		0,14 - 0,15	0,20 - 0,28	0,27 - 0,35	0,36 - 0,47	0,49 - 0,64
Rated power (incl. preheater) [A]		2,4				
Cos φ		0,34	0,42	0,44 - 0,47	0,46 - 0,48	0,47 - 0,49

Sound power Sky 150											
Ventilation capacity [m³/h]		45			75			105		150	
Sound power level L _w (A)	Static pressure [Pa]	10	50	100	25	50	100	50	100	50	100
	Housing emission [dB(A)]	24	33	39	33	35	40	38	41	44	45
	Duct "Extract air" [dB(A)]	27	36	42	34	37	42	40	43	46	47
	Duct "Supply air" [dB(A)]	41	49	58	50	53	57	57	60	62	64

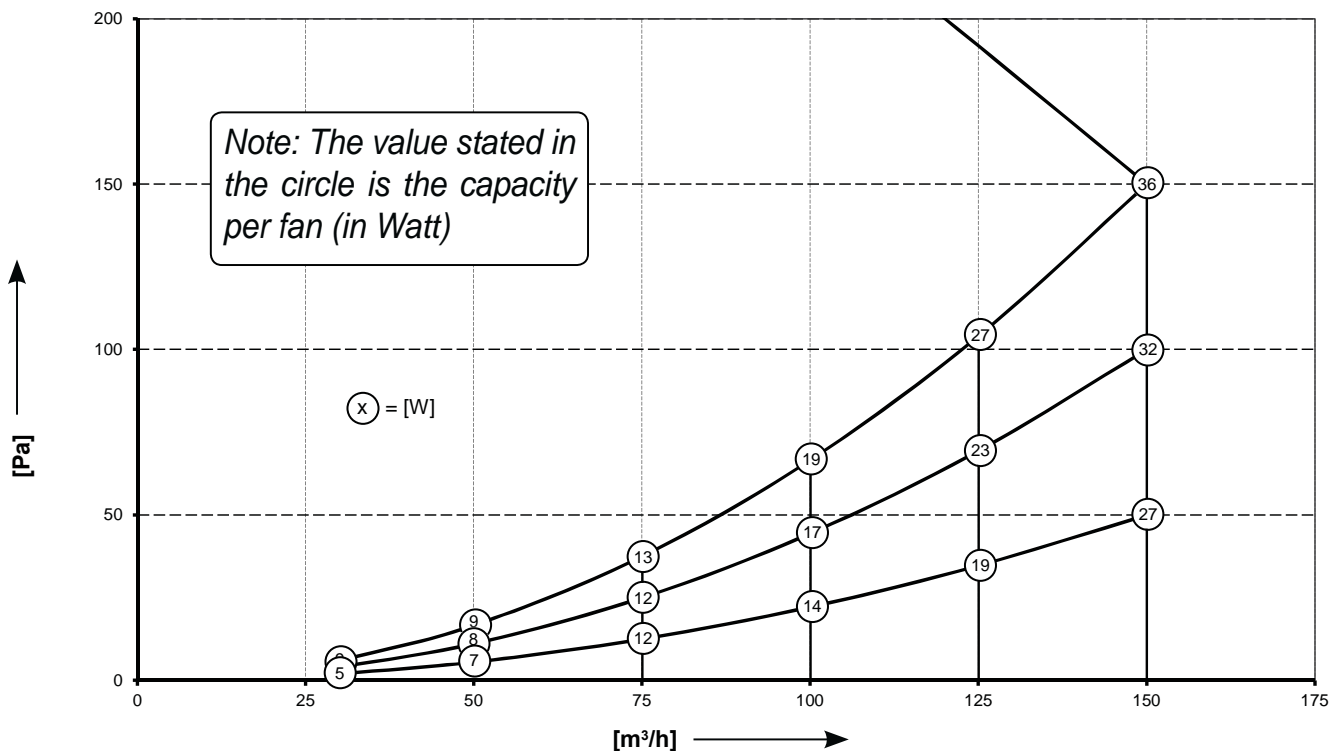
In practice, the value may deviate 1 dB(A) as a result of measuring tolerances.

3.2 Connections and dimensions

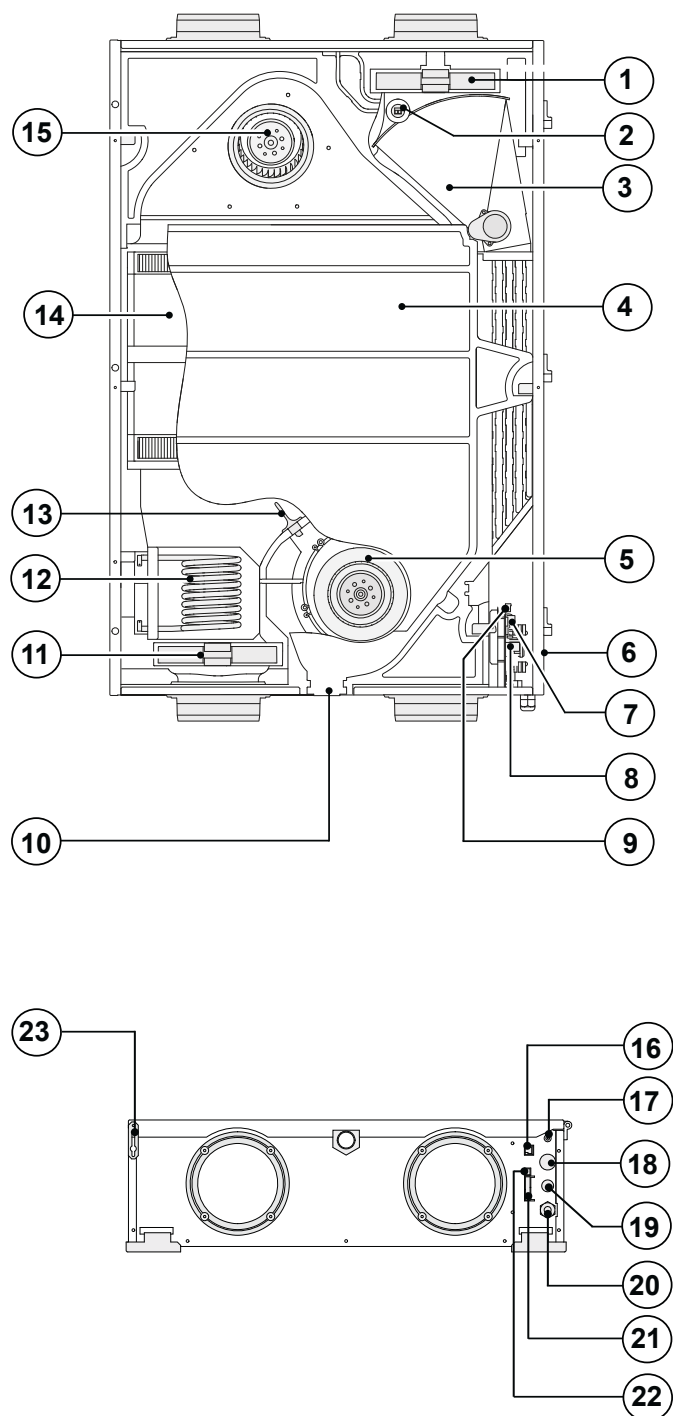


- 1 Supply air 
- 2 Exhaust air 
- 3 Extract air 
- 4 Outdoor air 
- 5 Electric connections
- 6 Connection condensate discharge

3.3 Fan graph



3.4 Exploded view appliance



1	Extract air filter
2	Indoor temperature sensor
3	Bypass
4	Condensate bin
5	Extract fan
6	Locking screw front panel (mounted in front panel)
7	Connector X14
8	Control board
9	Connector X4
10	Condensate discharge
11	Supply air filter
12	Preheater
13	Outdoor temperature sensor
14	Heat exchanger
15	Supply fan
16	Modular connector multiple switch
17	Service connector
18	Sleeve low voltage cable
19	Sleeve cable 230 V. postheater or extra preheater
20	Mains cable 230 V.
21	9-pole connector (only for Plus version)
22	Connector eBus
23	Fall Protection front panel

4.1 Description

The appliance comes plug and play and operates fully automatically. The extracted indoor air heats up the fresh, clean outdoor air. That saves energy and fresh air is sent to the required rooms.

The control system has four ventilation modes.

The air flow rate can be adjusted per ventilation mode. The constant volume control system ensures that the air flow rate of the supply and extract fans is realised independent of the duct pressure.

4.2 Bypass conditions

The standard bypass valve makes it possible to supply fresh outside air that is not heated by the heat exchanger. Particularly during summer nights it is desirable to supply cooler outside air. Then the hot air in the dwelling is replaced by cooler outside air in so far as possible.

The bypass valve opens and closes automatically when a number of conditions are satisfied (refer to the table below for bypass conditions).

The operation of the bypass valve can be adjusted in step number 5, step number 6 and step number 7 in the settings menu (see chapter 12).

Bypass valve open	<ul style="list-style-type: none"> - The outdoor temperature is higher than 7°C and - the outdoor temperature is lower than the indoor temperature in the dwelling and - the temperature in the dwelling is higher than the temperature set at step no. 5 in the settings menu (set a standard at 24°C).
Bypass valve closed	<ul style="list-style-type: none"> - The outdoor temperature is lower than 7°C or - the outdoor temperature is higher than the indoor temperature in the dwelling or - the temperature from the dwelling is lower than the temperature set at step no. 5 in the settings menu minus the set temperature by the hysteresis (step no. 6), this temperature is factory 22 °C (24,0 °C minus 2,0 °C).

4.3 Frost protection

To prevent freezing of the heat exchanger at extremely low outdoor temperatures, the Renovent Sky features intelligent frost control. Temperature sensors measure the temperatures across the heat exchanger and, if necessary, the preheater is

switched on. That guarantees a proper ventilation balance, also at very low outdoor temperatures. If, with switched on preheater(s), the exchanger temperature still starts to drop below zero, stepless unbalance is created in the appliance.

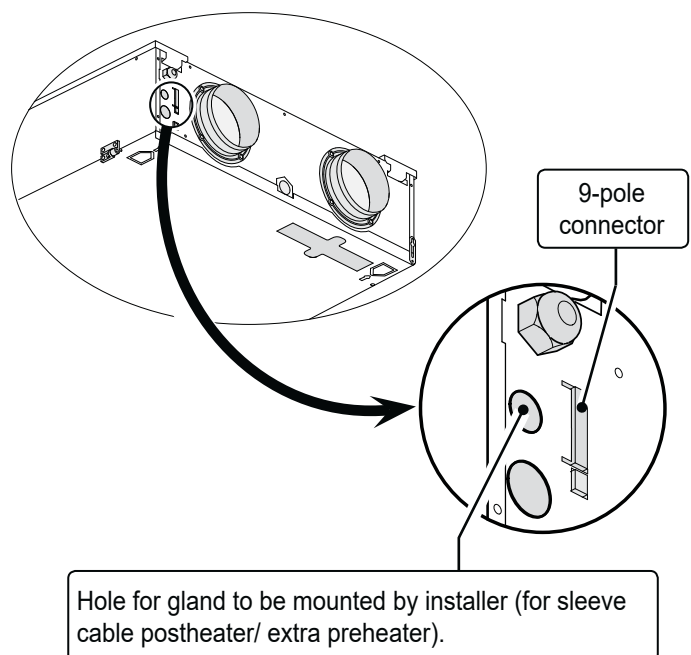
4.4 Renovent Sky Plus version

The Renovent Sky is also available as Plus version. This version is equipped with a different control board with 2 additional connectors (X14 & X15) with more connection options for various applications.

Only the Plus is equipped with a 9-pole connector (connected to X15 on control board) that is accessible from the outside of the appliance.

If a postheater or extra preheater is connected to connector X14 (accessible after opening the front panel) the installer must feed the connected 230 Volt cable to outside the appliance through a strain reliever. For this strain reliever (not supplied with the appliance) a plug must be removed from the position where this strain relieve must be placed.

See §9 for more information on the connection possibilities of connectors X14 and X15.



5.1 Installation general

Installation must take place under:

- Quality requirements ventilation systems dwellings.
- Quality requirements balanced ventilation in dwellings.
- The regulations for ventilation of dwellings and residential buildings.
- The safety regulations for low-voltage installations.

- The regulations for connection to interior sewers in dwellings and residential buildings.
- Any additional regulations of the local utilities.
- The installation instructions for the Renovent Sky 150
- In addition to the above design and installation requirements and recommendations, the national building and ventilation regulations must be complied with.

5.2 Placing the appliance

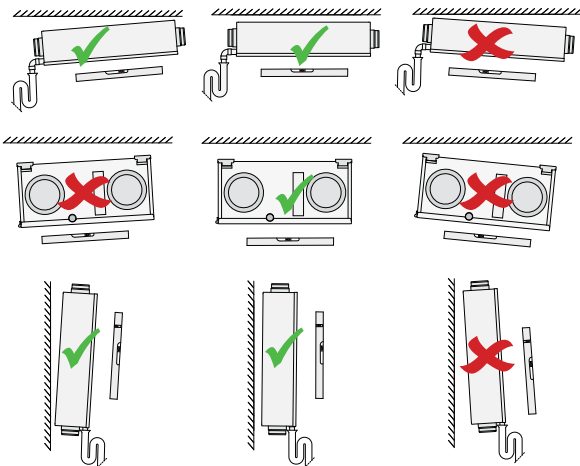
The Renovent Sky 150 can directly be mounted to the wall or ceiling using the mounting brackets supplied for that purpose.



Because of the appliance's weight, mounting the appliance must always be done by two people!

The Renovent Sky can directly be mounted to the wall/ ceiling using the suspension brackets supplied for that purpose. For a vibration-free result the appliance must be mounted to a solid wall with a minimum mass of 200 kg/m². A gypsum block or metal stud wall does not suffice! Additional measures such as double panelling or extra studs are required in that case. In addition, the following aspects must be taken into account.

- The appliance must be placed level.



- The installation room must be such that a good condensate discharge with air trap and pitch for condensate can be made.
- We recommend not to install the heat recovery unit in spaces with an average high RH (for instance bathroom). That will prevent condensation on the outside of the heat recovery unit.



Make sure that under no condition the condensate discharge is installed at a pitch towards the appliance!



The appliance is only suitable for ceiling or wall mounting! Never mount the appliance flat on the floor because of the position of the condensate discharge bin!

- The heat recovery unit must be installed in an insulated, frost-free room to prevent, among other things, freezing of the condensate discharge

- When mounting flexible ducts, bear in mind that it must be possible to replace them in due course.
- Make sure there is sufficient free space at the appliance to allow cleaning of the filters and maintaining the appliance. It must be possible to swing the door open.
- Avoid the use of petroleum-based adhesives in air plant systems.
- Dwellings with construction moisture must be ventilated naturally during a certain period!

Ceiling mounting:

At least 70 cm at the underside of the appliance and a free headroom of 1.8 m; if 70 cm free space is not available, for instance when mounting on top of a suspended ceiling, there must be sufficient room to partly open and remove the front panel.

The front panel can be detached after removing a lock screw at the hinge! (§ 3.4 / nr. 6)

Make sure the filters can always freely be removed, so there is no frame or other obstacle at the level of the filters!

Wall mounting :

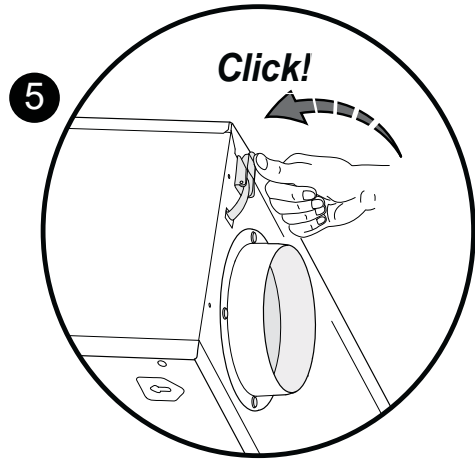
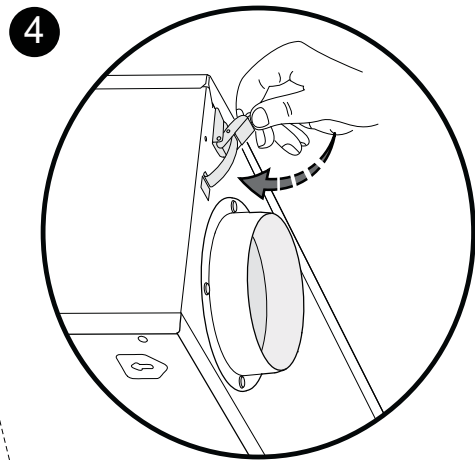
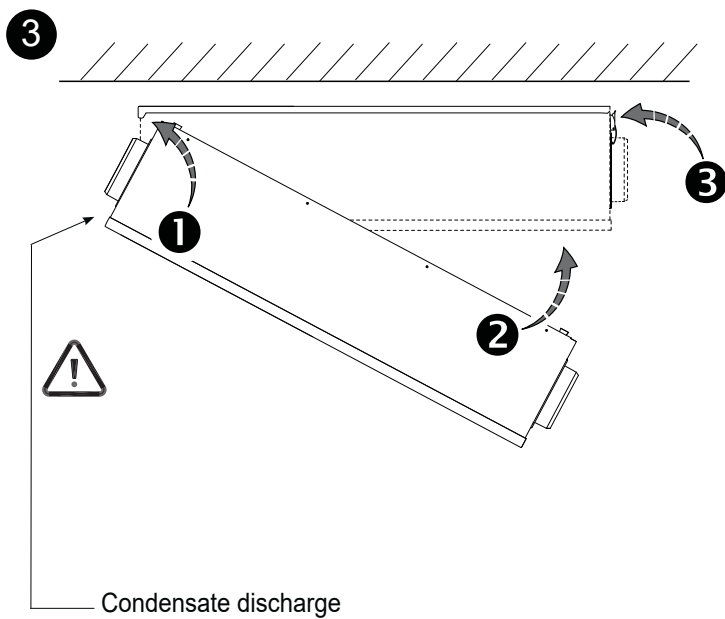
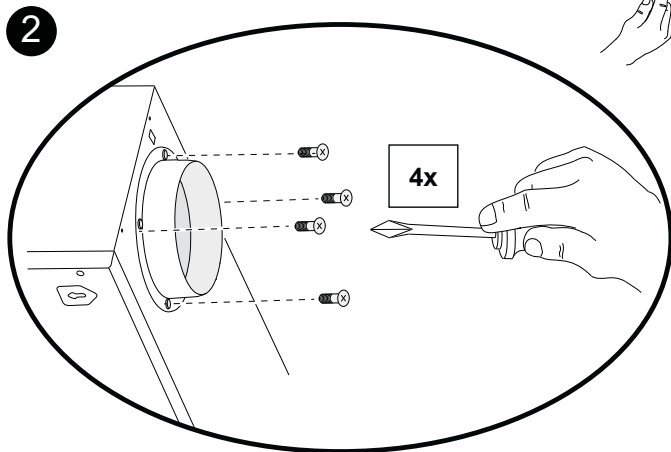
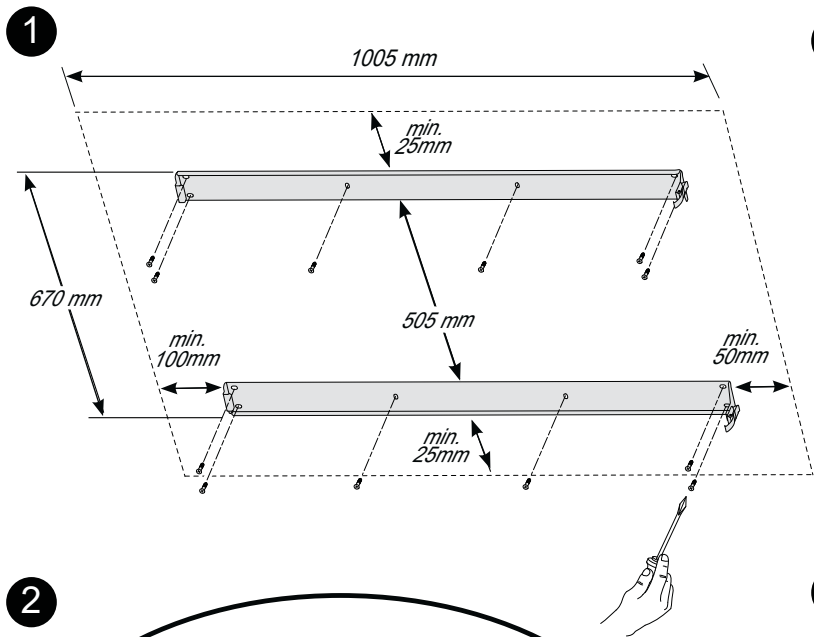
Make sure there is a free space of at least 70 cm at the front of the appliance and a free headroom of 1.8 m.

- Make sure there is at least 20 cm free space at the appliance side where the electric connections are located, so connectors and sleeves remain accessible.

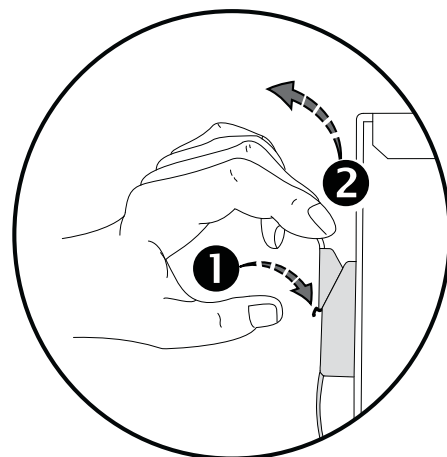
Air ducts:

- The air ducts must be mounted air-tight
- The air ducts to and from the dwelling must be fitted with a muffler.
- Mounting of air ducts to the roof deck must be avoided in order to prevent sound transmission.
- It is recommended to restrict the external duct pressure in the design to 100 Pa at the design flow rate in order limit the total sound level. In all events the practical external duct pressure must be limited to 150 Pa.
- The air velocity must be limited to 5 m/s in the main ducts and 3,5 m/s in the branches.
- To prevent condensation on the outside of the outdoor air supply duct and the air exhaust duct downstream of the Renovent Sky, these ducts must be provided with an external vapour barrier as far as the appliance. If thermally insulated piping is used here, additional insulation is not necessary.

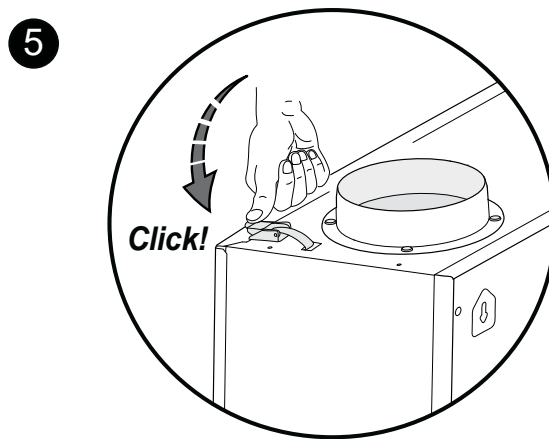
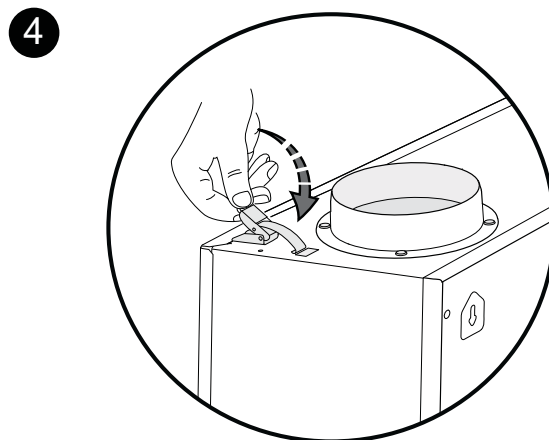
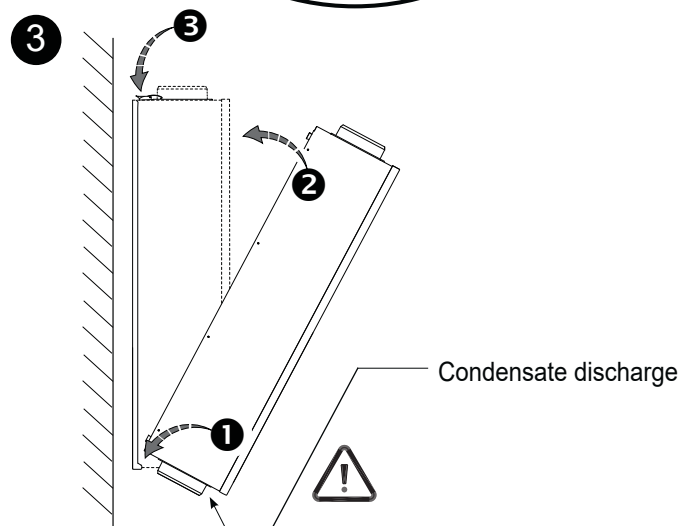
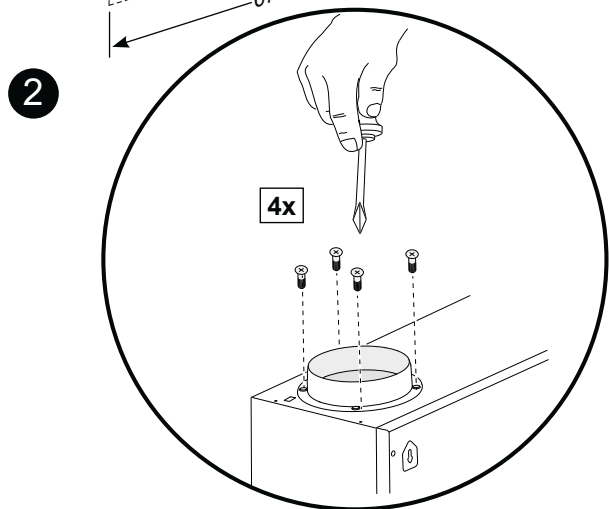
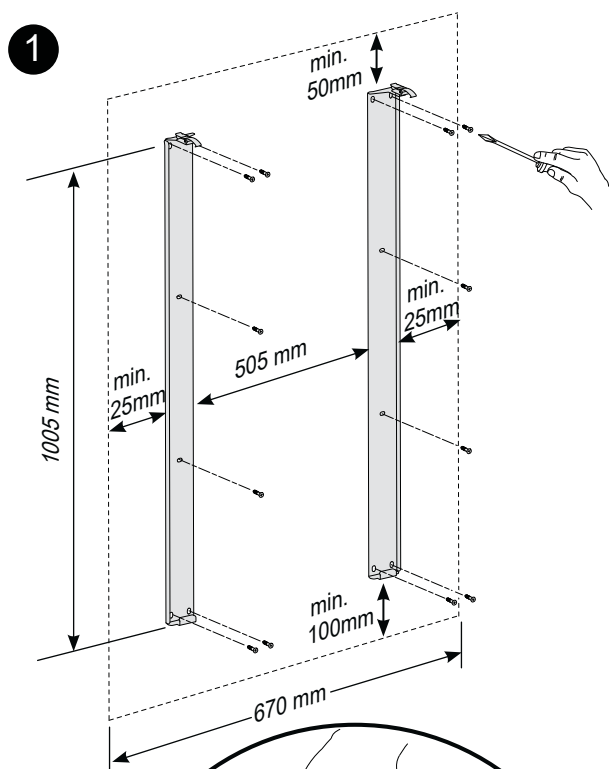
5.2.1 Placing the appliance for ceiling mounting



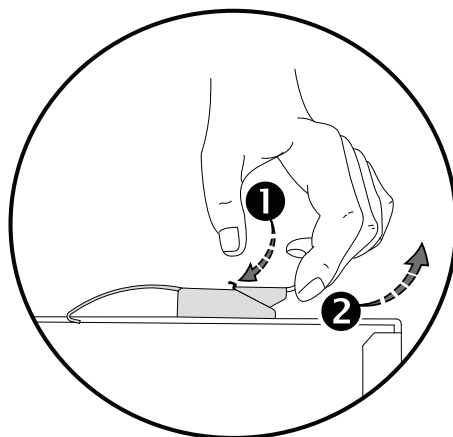
6 Appliance disconnecting from mounting bracket



5.2.2 Placing the appliance for wall mounting



6 Appliance disconnecting from mounting bracket



5.3 Connecting the condensate discharge

The Renovent Sky must always be fitted with a condensate discharge.

The condensate must be discharged through a drainpipe.

The condensate discharge connection with 3/4" mail thread (supplied with the appliance) must be screwed into the appliance's condensate bin by the installer.



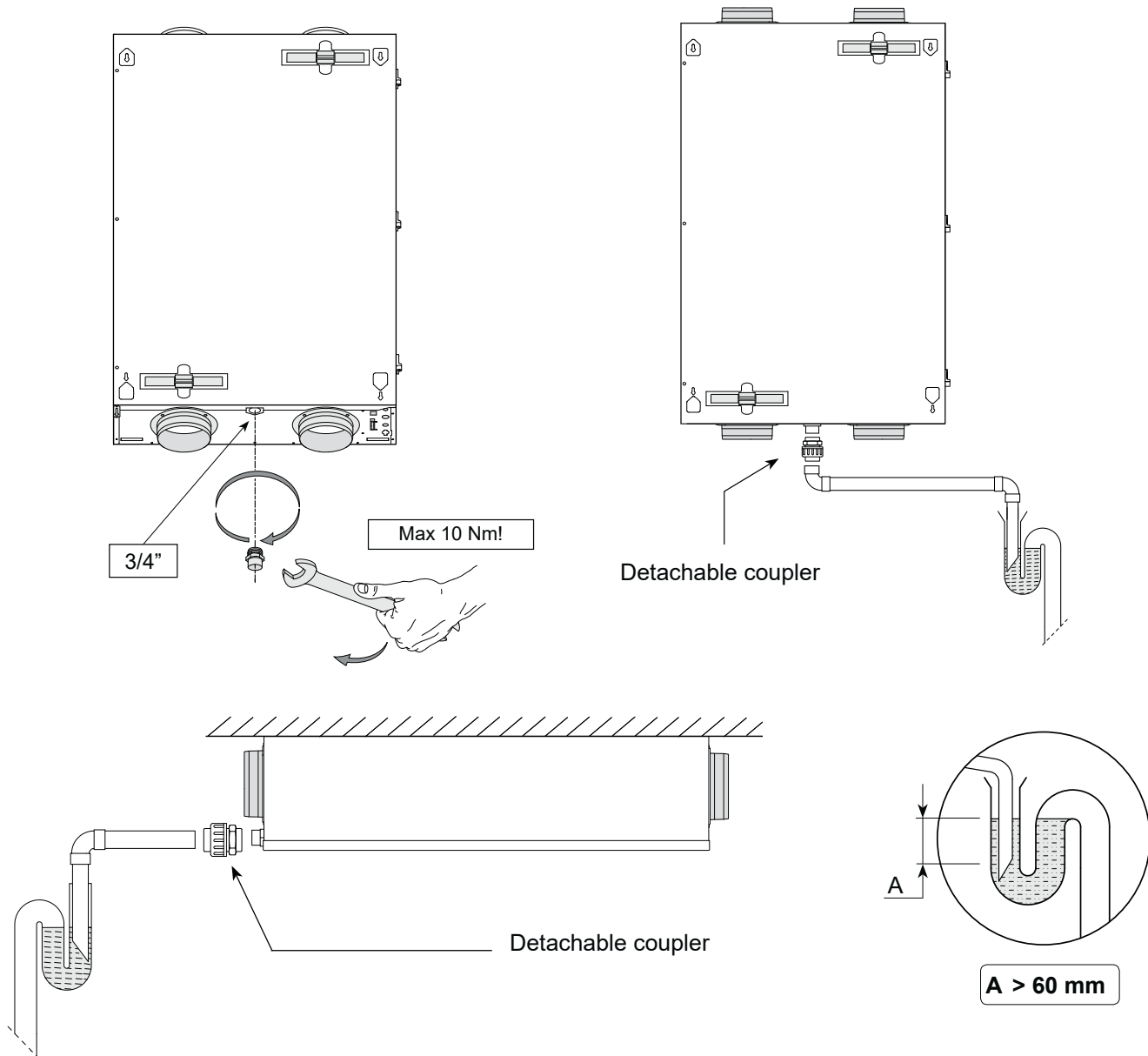
Important:

Always install a detachable coupler in the condensate discharge line as closely as possible to the appliance, otherwise the condensate bin cannot be removed from the appliance for service purposes!

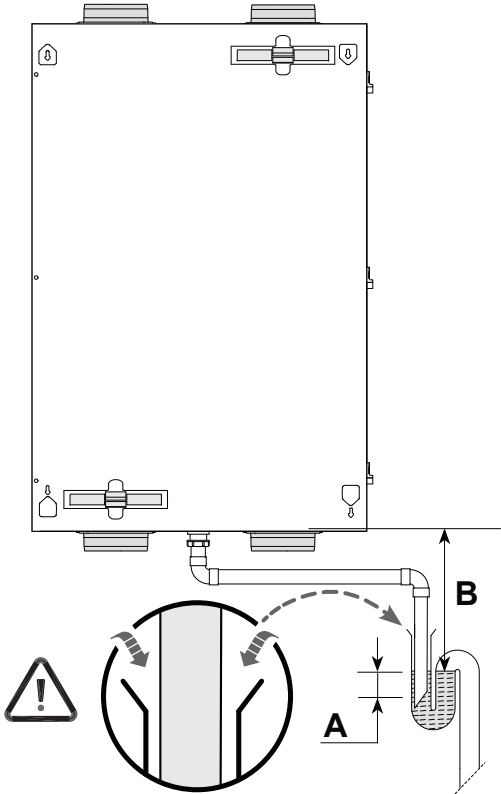
The condensate discharge line can be mounted to it, preferably glued, if necessary using a square bend. The installer can glue the condensate discharge to the appliance in the desired position. The drain must discharge under the water level in the U-trap. Use a condensate discharge line with a diameter of 32 mm.

Particularly for ceiling mounting, make sure the condensate discharge is below the level of the condensate bin in the Renovent Sky!

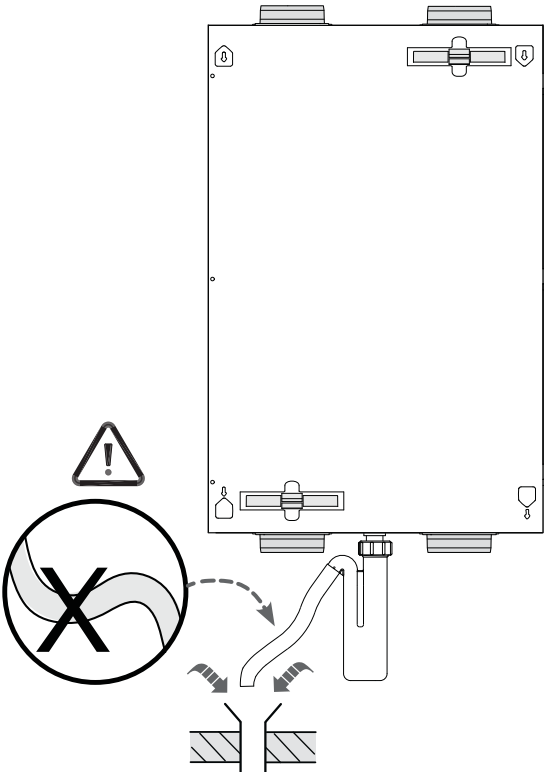
Before connecting the condensate discharge to the appliance, pour water into the U-trap to create an air trap.



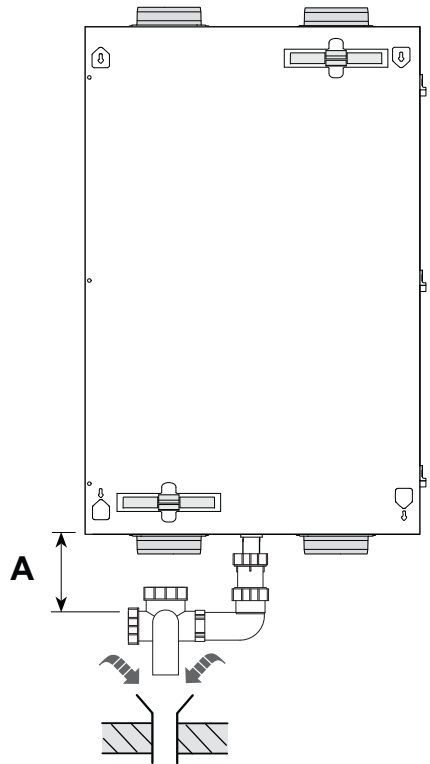
1



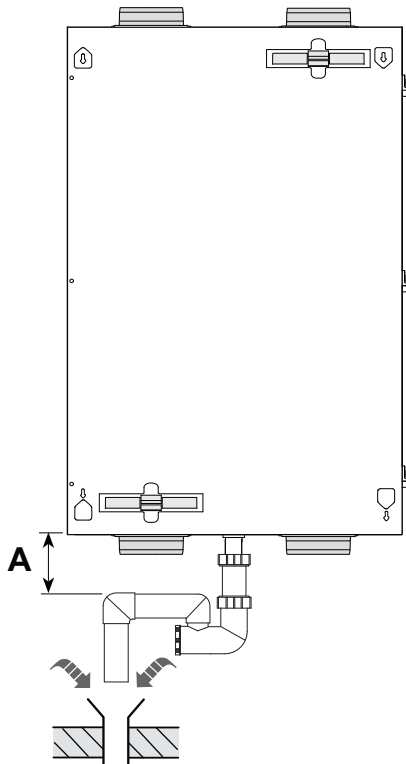
2



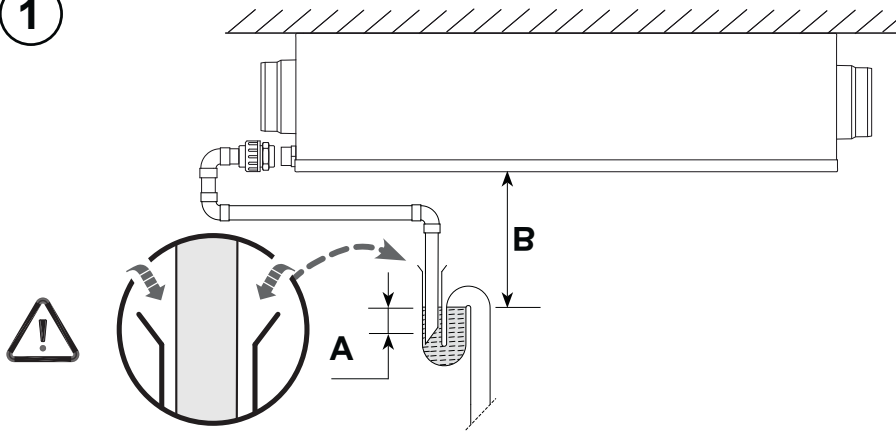
3



4

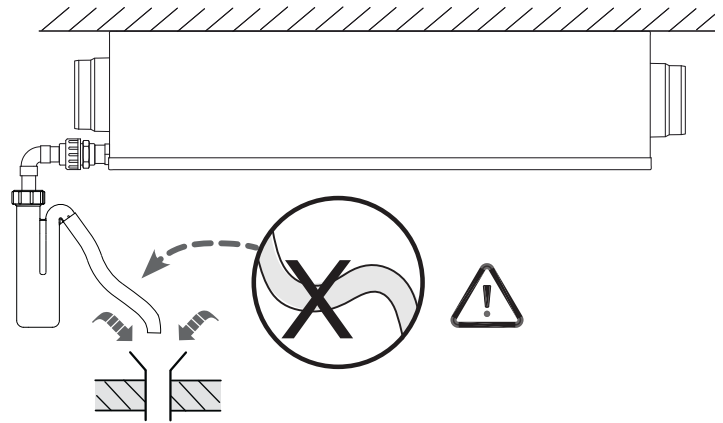


1

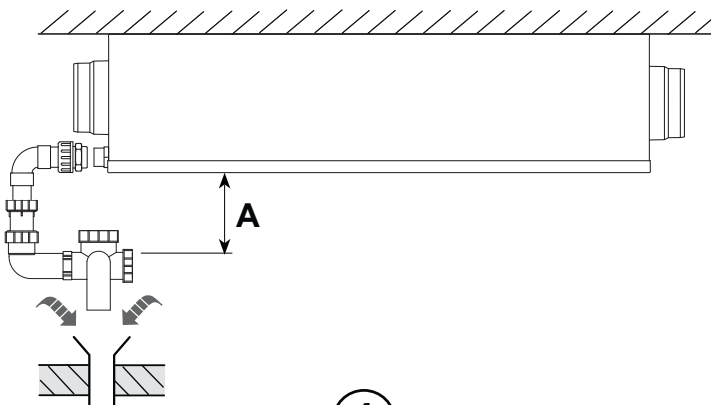


2

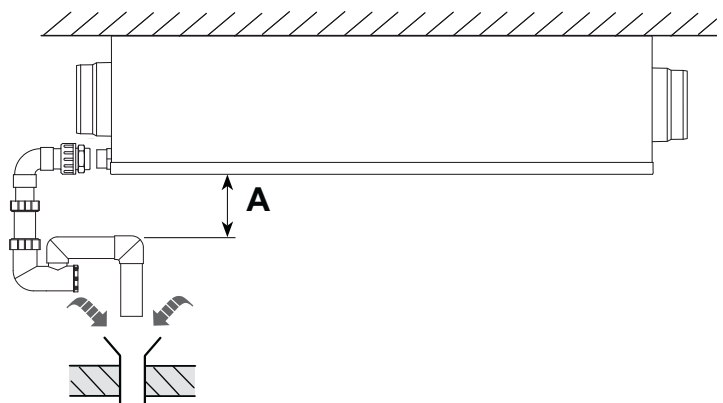
$A \geq 60 \text{ mm}$
 $B \geq A$



3



4



5.4 Electric connections

5.4.1 Connecting the power plug

The appliance can be connected to an easily accessible, earthed wall socket with the plug that is mounted to the appliance. The electric installation must comply with the requirements of your power company.

The appliance comes ready to plug in with a 230 V mains plug

Make allowance for the 375 W preheater; if in addition also a postheater or extra preheater is installed, the rated power increases to 1375 W.

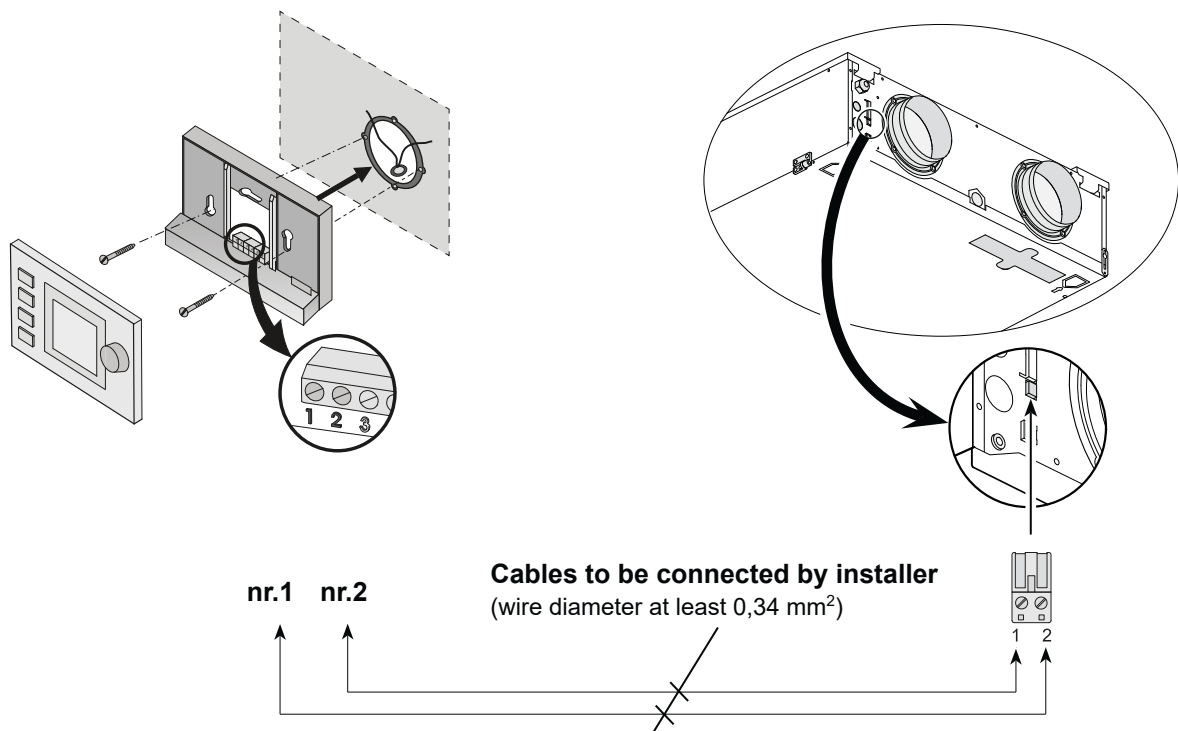


Warning

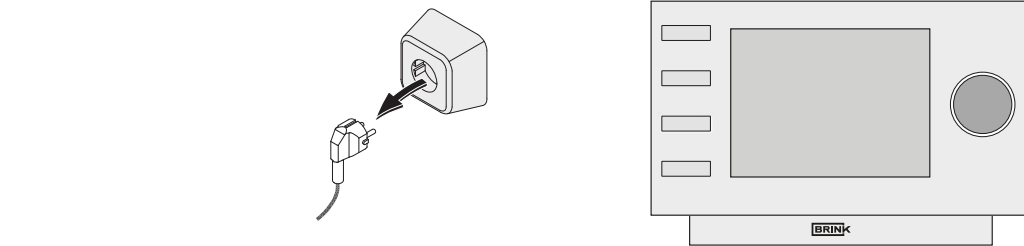
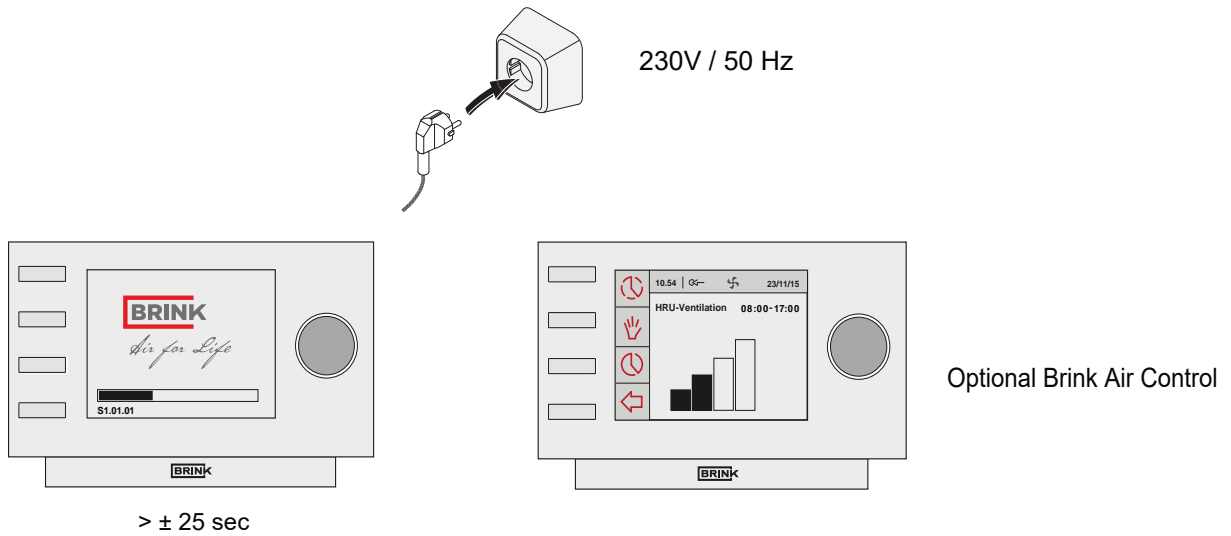
The fans and control board carry a high voltage. Always take the voltage from the appliance by pulling the power plug when working on the appliance.

5.4.2 “Brink Air control” connection

The “Brink Air control” (option) must be connected to the eBus connector. This (detachable) 2-pole eBus connector is mounted on the outside of the appliance (see also §10.1).



6.1 Switching the appliance on and off

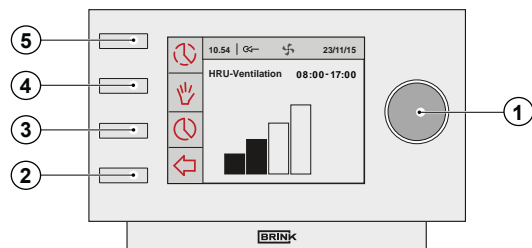


Warning When working on the appliance, always take the voltage from the appliance by first switching it off through software and subsequently pulling the power plug.

6.2 General explanation optional Brink Air control

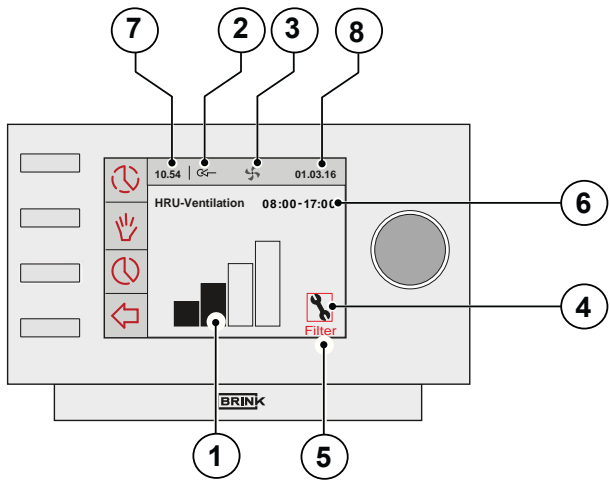
The “Brink Air control” display shows what the operating mode of the appliance is. Settings in the “Brink Air control” software of the Renovent Sky 150 can be called up and changed with

the aid of the operating keys. Ex factory the “Brink Air Control” is set for the English language. In the setting menu “Brink Air Control”, §6.4.2, you can choose a language.



①	Setting knob	Pressing the 'Right-hand setting knob' takes you to the Main Menu of the Sky appliance (§6.4).
②	Return key	Press the Return key (↩) to close any selected menu.
③	Setting & activating timer programme	Use this key (⌚) to select a type of timer programme; the set times and the connected airflow rates.
④	Manual control key	After pressing the manual control key (✋) the timer control can be overruled. At the position of the current time block, the display shows the message 'manual'. The appliance will remain running in this manual mode until it is cancelled by pressing the 'Return' key (↩).
⑤	Bypassing the timer programme	Pressing the key (⌚) take you to a temporary main screen; then the airflow during one time cycle can manually be modified using the right-hand setting knob.

6.3 View on Display



When the Renovent Sky is in operating mode, the “Brink Air control” display indicates a number of different values:

①	Flow rate indicator
②	eBus connection indicator
③	Fan indicator
④	Fault symbol
⑤	Filter message
⑥	Current time block
⑦	Current time
⑧	Current date (day / month / year)

① The display shows a bar chart (flow rate indicator) of the current ventilation rate.

Flow rate indicator	4-way switch	
		The supply and extract fans are running at 30 m³/h or they are stopped (step number 1).
	1	The supply and extract fans are running in ventilation mode 1 (step number 2).
	2	The supply and extract fans are running in ventilation mode 2 (step number 3)
	3	The supply and extract fans are running in ventilation mode 3 (step number 4)

② This eBus indicator appears when the eBus connection is active; if it is not visible, no communication is possible between the “Brink Air control” and the Sky appliance.

③ This ventilation indicator appears when the fans in the appliance are running.

④ This fault symbol appears when an appliance fault has occurred.

⑤ When the text “Filter” appears on the “Brink Air control” display, the filters in the appliance must be cleaned or replaced.

This indicates in what (preprogrammed) time interval the appliance is.

⑥ When the manual control key (👉) or temporary bypassing of the timer programme (🔄) is activated, the time interval picture disappears and is replaced by the message “Manual or Temporary”.

⑦ The current time is shown at this position.
It is important for proper performance of the appliance that the time is set correctly.

⑧ The current date is shown at this position.

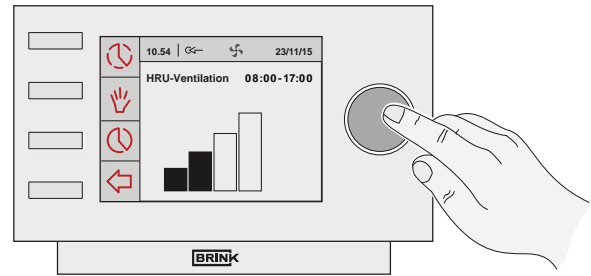
6.4 Main menu

Pressing the right-hand setting knob on the “Brink Air control” takes you to the **MAIN MENU**.

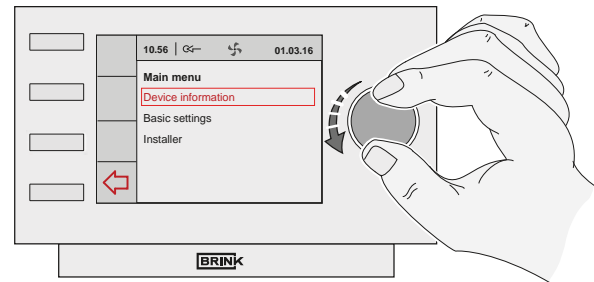
In this main menu you can use the right-hand setting knob to select one of the 3 available manuals (rotate to select and press to confirm) including:

- Device information §6.4.1
- Basic settings §6.4.2
- Installer §6.4.3

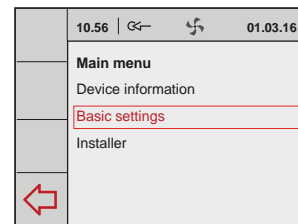
Selected menus can be closed by pressing the return key (↩); if the return key (↩) is not pressed, the display will return to the main screen some 5 minutes after the last time a key is operated.



MAIN SCREEN

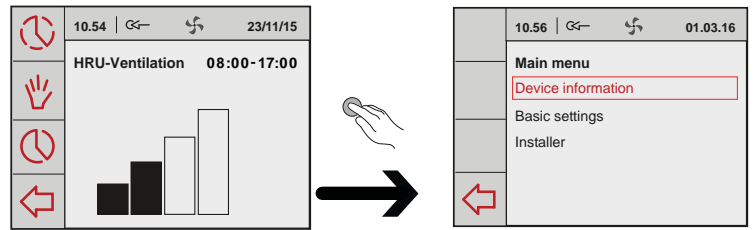


MAIN MENU



6.4.1 Device information menu

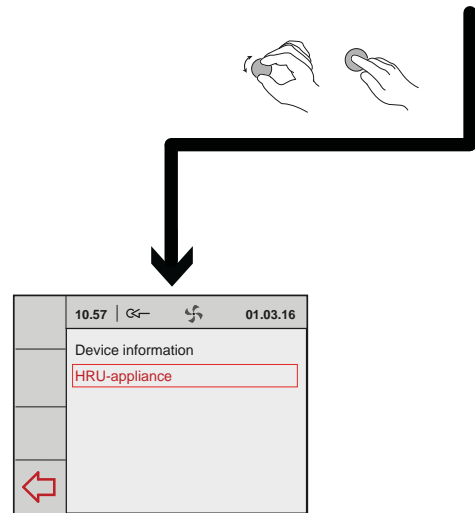
From the main menu, turn the right-hand setting knob to select the "Device information" menu and confirm the selection by pressing the right-hand setting knob. If several appliances are connected, a selection from the appliances can be made in this menu; if only a Sky appliance is connected, then select HRV appliance:



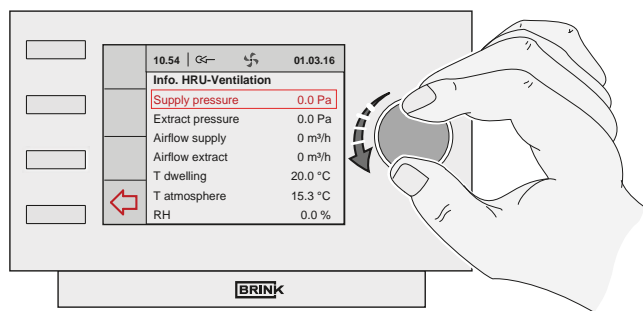
- HRU-appliance

Turning the right-hand setting knob calls up the various current values. Modifying values or settings is **not** possible in this menu!

Selected menus can be closed by pressing the return key (↩); if the return key (↩) is not pressed, the display will return to the main screen some 5 minutes after the last time a key is operated.



10.58	←	↻	01.03.16
Info.HRU-Ventilation			
Supply pressure		0.0 Pa	
Extract pressure		0.0 Pa	
Airflow supply		0 m³/h	
Airflow extract		0 m³/h	
T dwelling		20.0 °C	
T atmosphere		15.3 °C	
RH		0.0 %	
CO2-Sensor 1		0	
CO2-Sensor 2		0	
CO2-Sensor 3		0	
CO2-Sensor 4		0	



6.4.2 Basic settings menu

From the main menu, turn the right-hand setting knob to select the “Basic settings” menu and confirm the selection by pressing the right-hand setting knob. In this menu, you can select from five submenus, including:

- Language
- Clock
- Date
- Backlight
- Key lock

A Language
In this menu you can choose a language; ex factory the “Brink Air Control” is set for the English language.

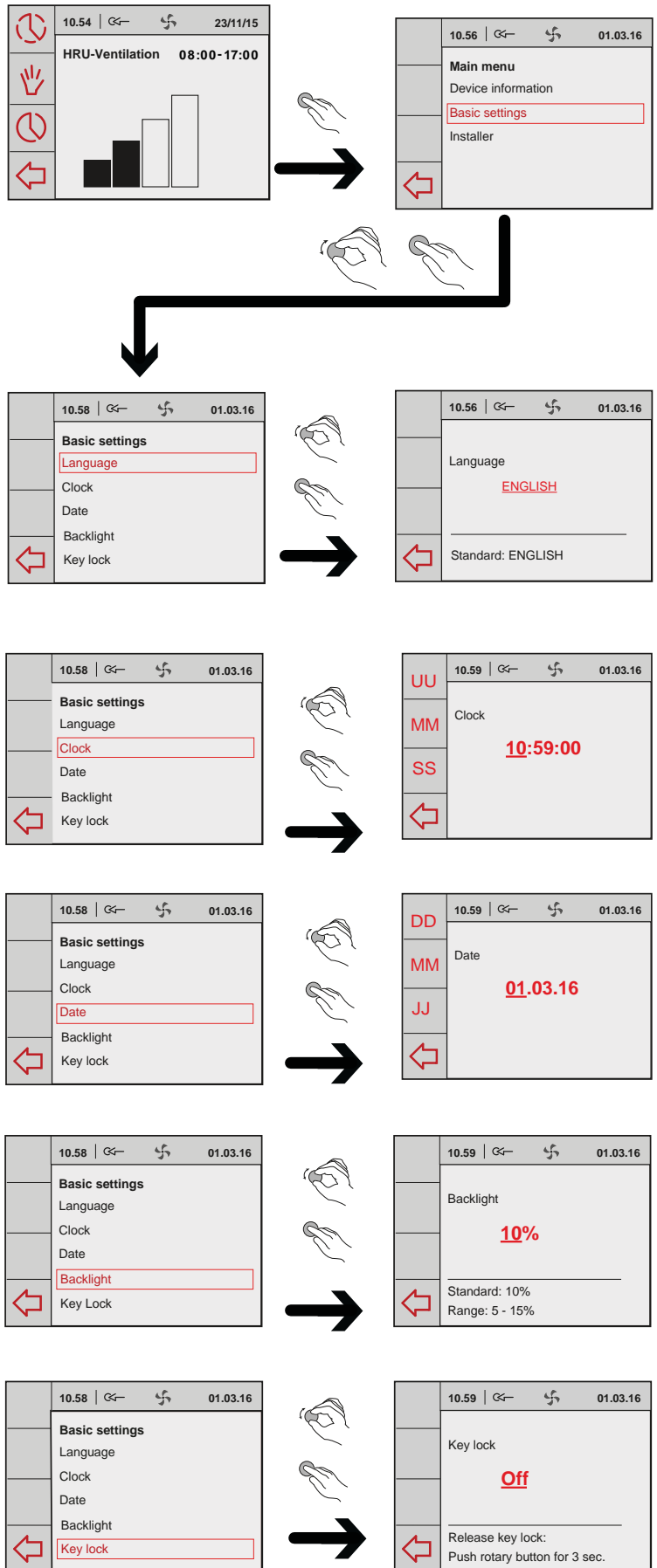
B Clock
The current time must be set in this menu.
The time is always shown in 24 hours mode.

C Date
The current date must be set in this menu; the day, month and year must be entered.

D Backlight
In this menu the display backlighting can be adjusted.

E Key lock
This can be used to prevent unwanted use and the changing of settings.
It will become active 1 minute after the last setting has been made.

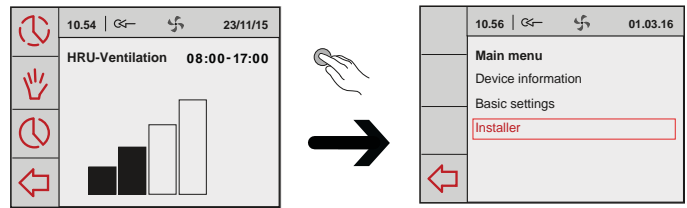
Deactivate the key lock once-only by holding down the right-hand setting knob for 3 seconds! Permanently deactivate it by changing the setting in the key lock menu.



6.4.3 Installer menu

From the main menu, turn the right-hand setting knob to select the "Installer" menu and confirm the selection by pressing the right-hand setting knob.

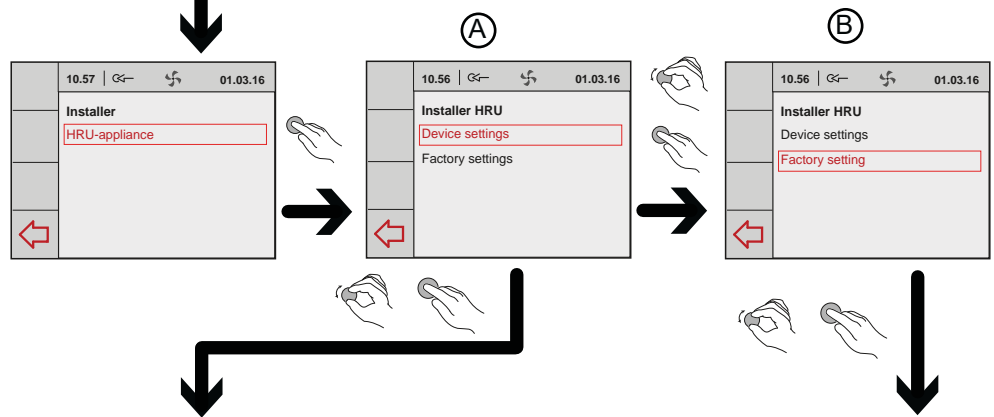
If several appliances are connected, a selection from the appliances can be made in this menu; if only a Sky appliance is connected, then select HRV appliance:



- HRU-appliance

From this menu can be chosen from:

- A Device settings**
- B Factory setting**

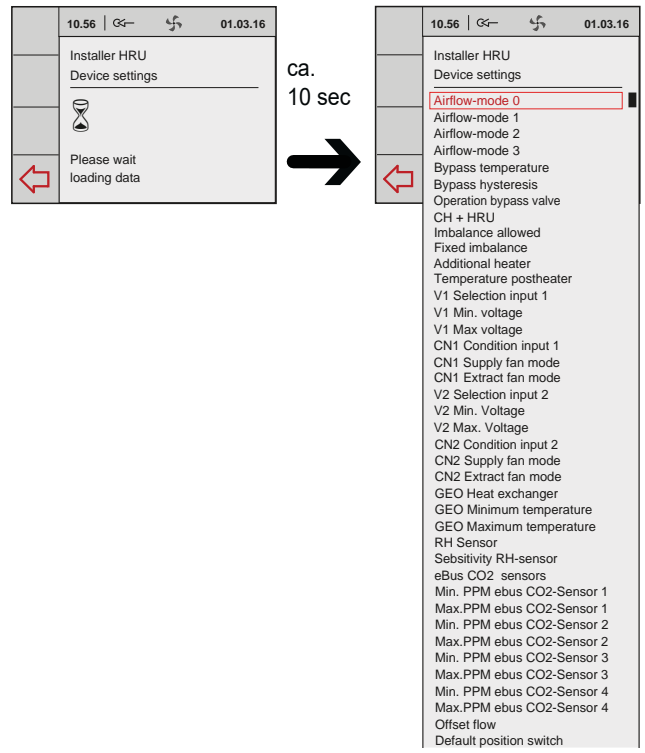


(A) Device settings

Selecting parameter takes you to the overview of all step numbers of the appliance as described in chapter 12. In this menu you can view these values and, if necessary, modify them.

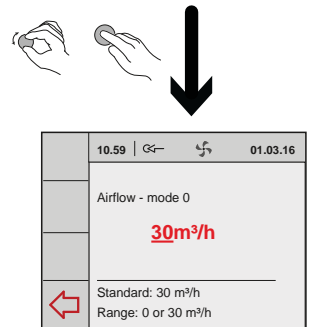
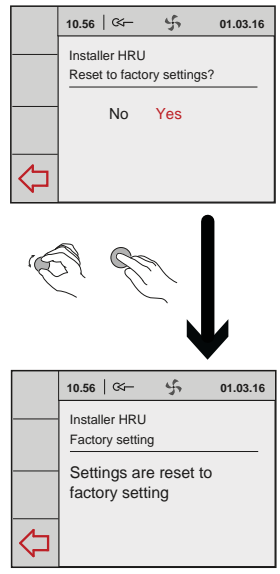


Incorrect settings may seriously affect the proper performance of the appliance!



(B) Factory setting

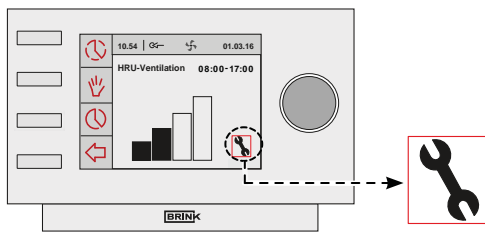
Selecting factory setting will restore all step numbers to the original factory setting. All fault messages will be deleted as well.



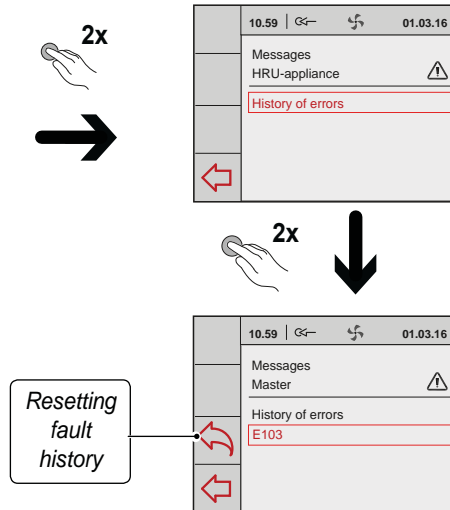
7.1 Trouble shooting

When the appliance control system detects a fault, it is indicated on the display of the “Brink Air control” with a spanner symbol, possibly together with a fault code.

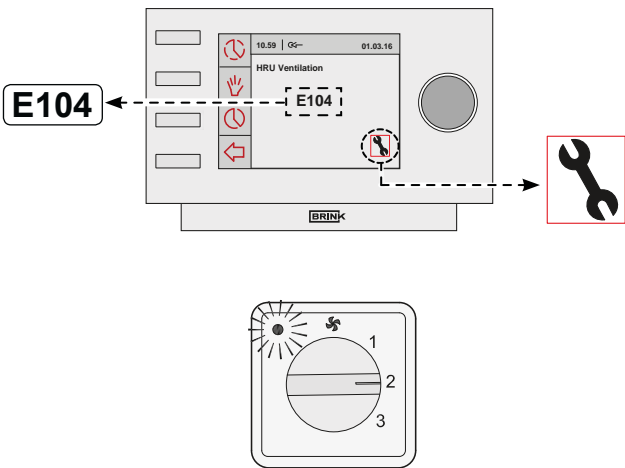
Non-locking fault



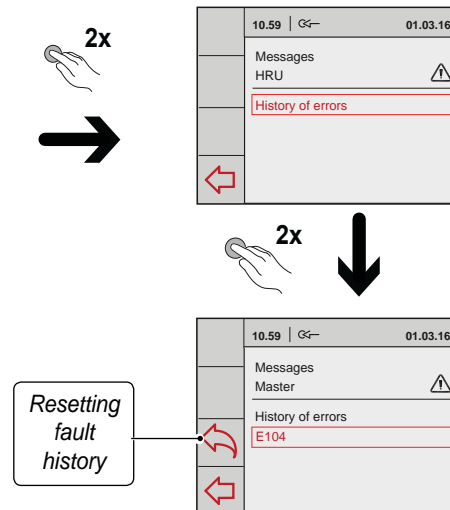
When the appliance detects a non-locking fault, it will still keep running (limitedly). The display does show the fault symbol (spanner). This fault can be read out in the menu “Messages”



Locking fault



When the appliance detects a locking fault, it will no longer work. The (permanently lighted) display shows the fault symbol (spanner) together with fault code. The red LED on the multiple



switch (if applicable) will be blinking. Contact the installer to remedy this fault. A locking fault cannot be remedied by taking the voltage from the appliance; first the fault must be solved.



Warning

When working on the appliance, always take the voltage from the appliance by first switching it off through software and subsequently pulling the power plug.

7.2 Display codes


Fault code	Cause	Action appliance	Action installer
E103	Bypass fault.	<ul style="list-style-type: none"> - None. (Current too low → stepper motor not correctly connected or effective; current too high → short-circuit in wiring or stepper motor) 	<ul style="list-style-type: none"> • Take the voltage from the appliance. • Check connection stepper motor; replace wiring or stepper motor
E104	Extract fan defective.	<ul style="list-style-type: none"> - Both fans are switched off. - Preheater is switched off. - Postheater is switched off. - Restart every 5 minutes. 	<ul style="list-style-type: none"> • Take the voltage from the appliance. • Replace extract fan. • But voltage back on appliance; Fault will automatically be reset. • Check cabling.
E105	Supply fan defective.	<ul style="list-style-type: none"> - Both fans are switched off. - Preheater is switched off. - Postheater is switched off. - Restart every 5 minutes. 	<ul style="list-style-type: none"> • Take the voltage from the appliance. • Replace • Put voltage back on appliance; Fault will automatically be reset. • Check cabling.
E106	The temperature sensor that measures the outdoor temperature is defective.	<ul style="list-style-type: none"> - Both fans are switched off. - Preheater is switched off. - Bypass closes and is blocked. 	<ul style="list-style-type: none"> • Take the voltage from the appliance. • Replace temperature sensor • Put voltage back on appliance; fault will automatically be reset.
E107	The temperature sensor that measures the temperature of the extract air is defective.	<ul style="list-style-type: none"> - Bypass closes and is blocked. 	<ul style="list-style-type: none"> • Take the voltage from the appliance. • Replace indoor temperature sensor
E108	If present: The temperature sensor that measures the external temperature is defective.	<ul style="list-style-type: none"> - If applicable: Postheater is switched off. - If applicable: Geo heat exchanger is switched off. 	<ul style="list-style-type: none"> • Replace external temperature sensor
E109	Fault on connected CO ₂ sensor	<ul style="list-style-type: none"> - Appliance continues to operate 	<ul style="list-style-type: none"> • Take the voltage from the appliance. • Replace CO₂-sensor; Correct setting dipswitches of new CO₂ sensor • Put voltage back on appliance; fault is automatically reset.
E111	If present: The RH-sensor that measures the humidity is defective.	<ul style="list-style-type: none"> - Appliance continues to operate 	<ul style="list-style-type: none"> • Take the voltage from the appliance. • Replace RH-sensor.
	Dip switches on control board not set correctly.	<ul style="list-style-type: none"> - Appliance does nothing; red fault LED on multiple switch is not activated either. 	<ul style="list-style-type: none"> • Put dip switches incorrect position. (see § 9).

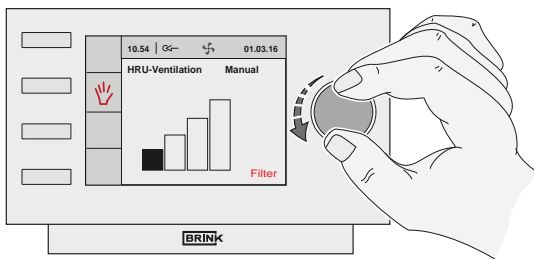
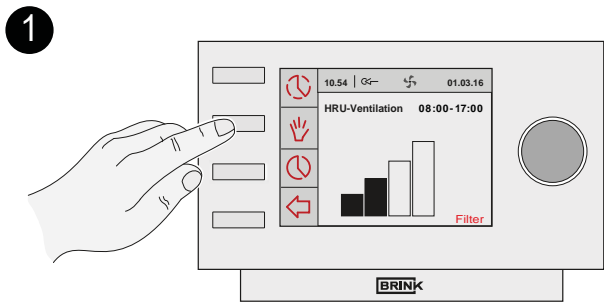
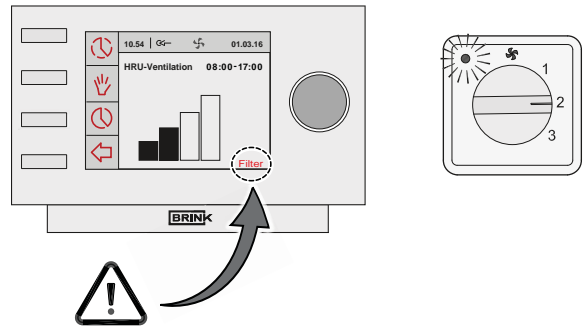
Note!

If mode 2 of a multiple switch does not work, the modular connector of the multiple switch has been connected the wrong way round. Cut off one of the RJ connectors to the multiple switch and mount a new connector the other way round.

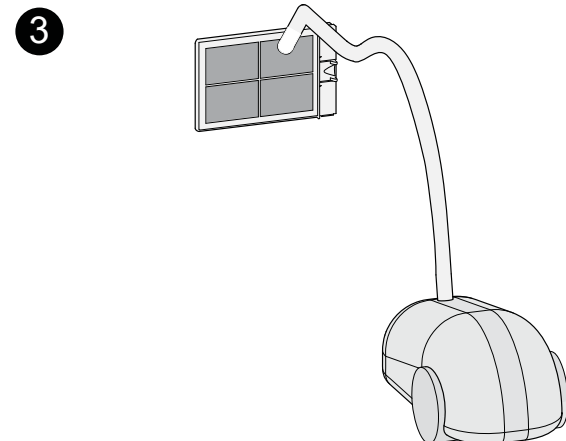
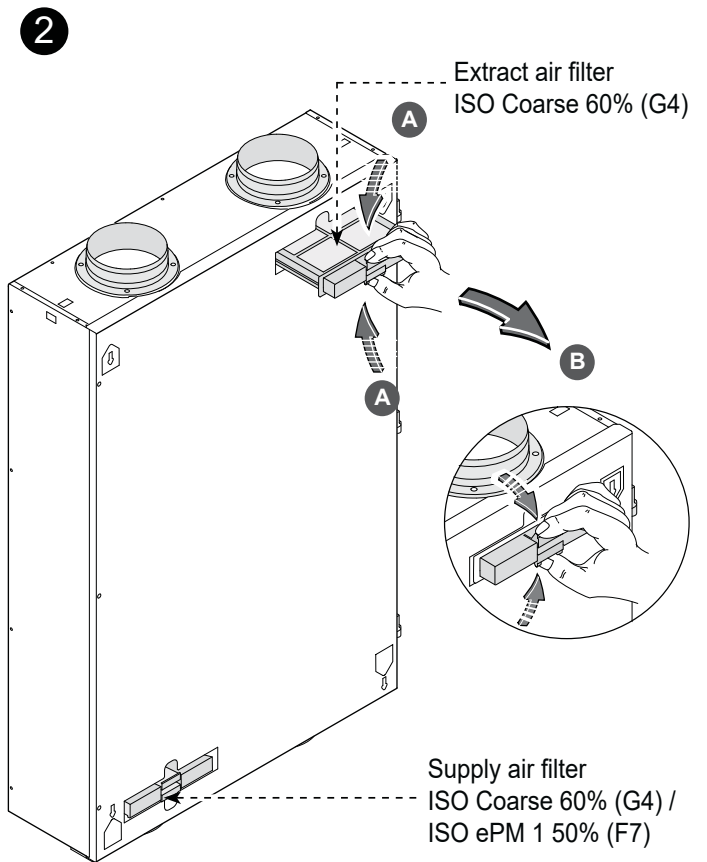
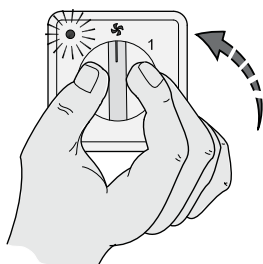
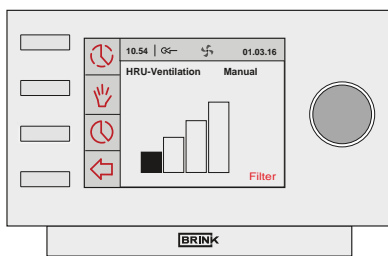
8.1 User maintenance

User maintenance is limited to periodically cleaning or replacing the filters. The filter only has to be cleaned when that is indicated on the display (it shows the text **"FILTER"**) or, if a multiple switch with filter indication is mounted, when the red LED at the switch lights up. The filters should be replaced every half year.

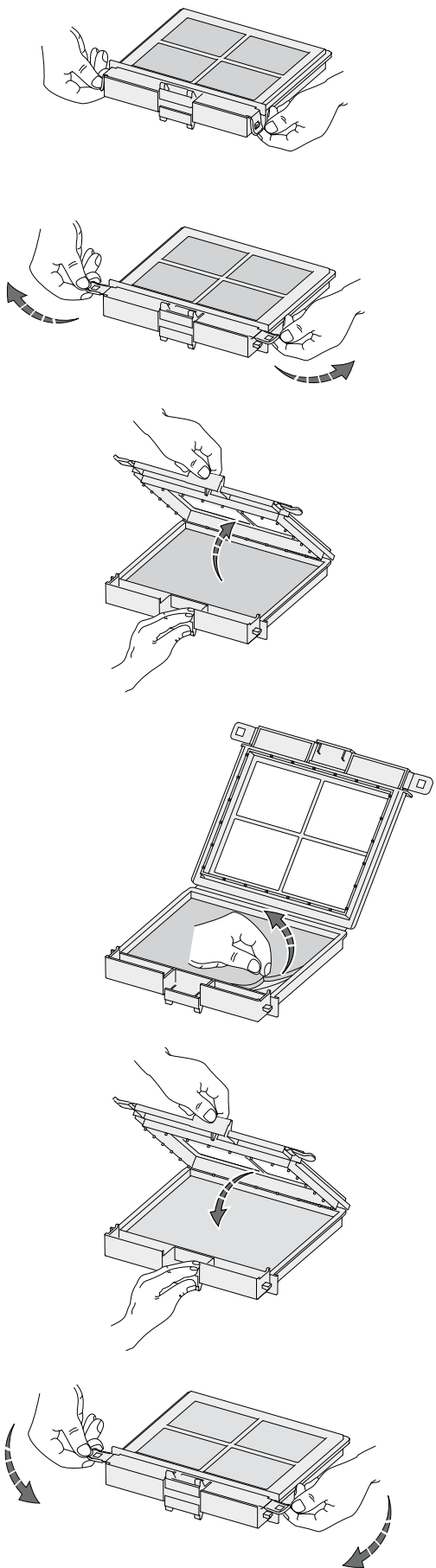
 **It is not permitted to use the appliance without filters!**



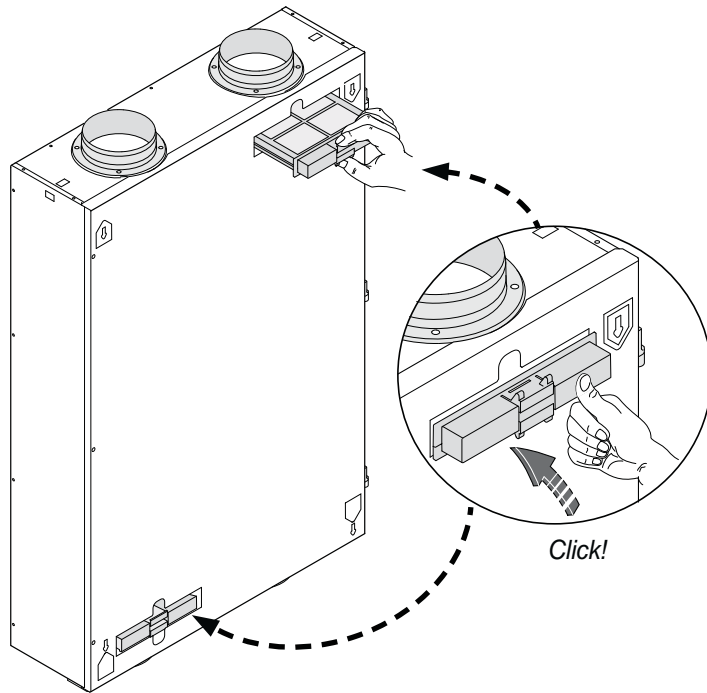
ca. 10 sec.



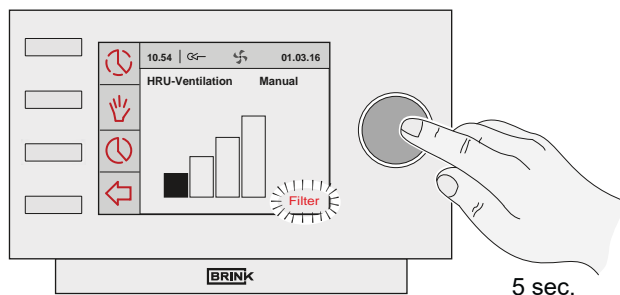
4



5

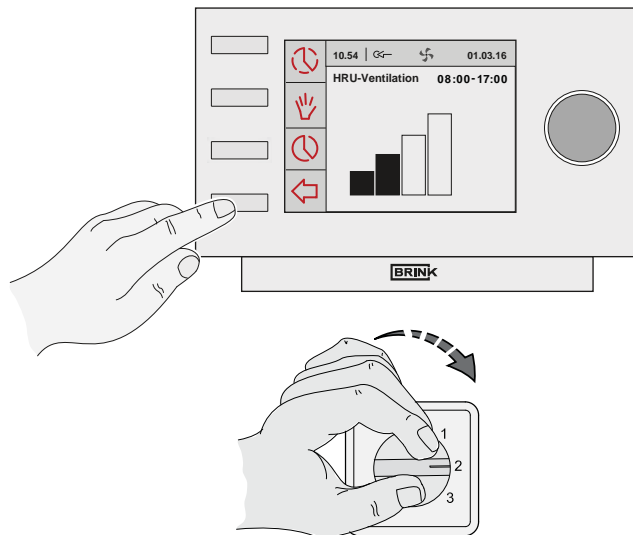


6



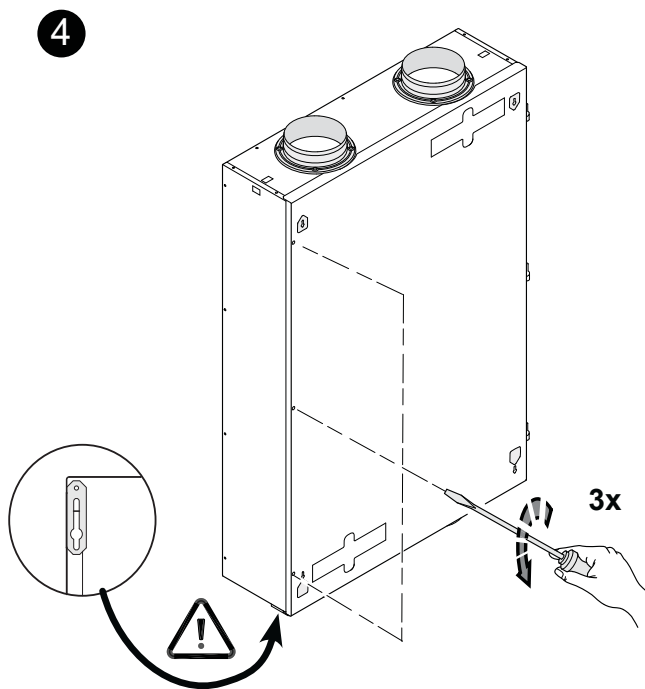
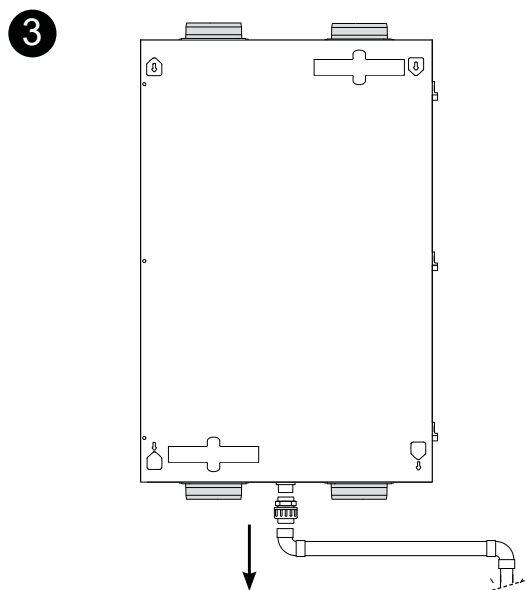
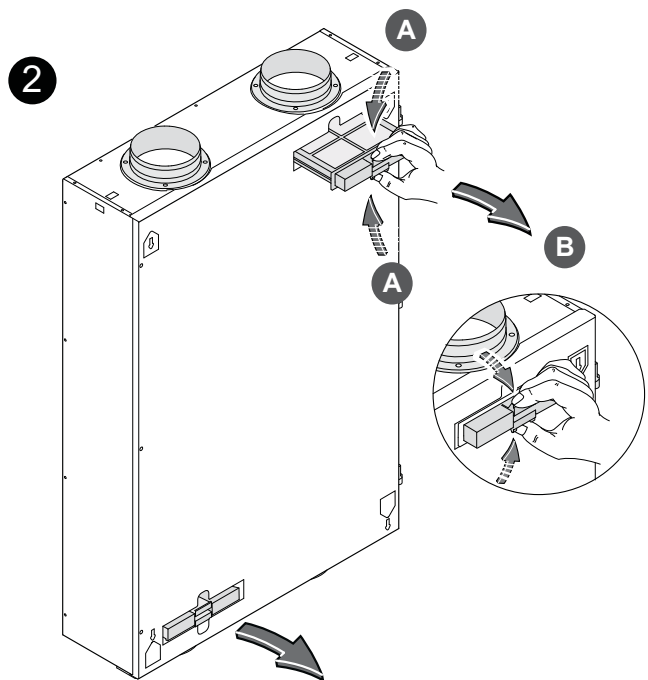
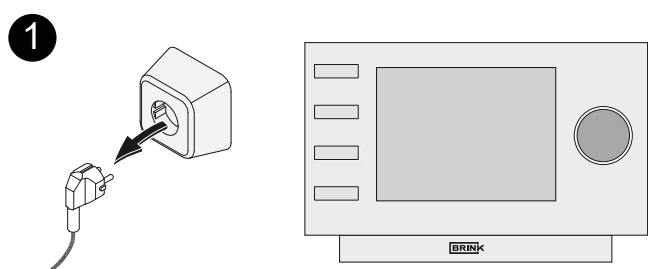
Filterreset

A filter reset can also be done with the 4-way switch when switching 4 times (at normal speed) between position 1 and 0 or 0 and 1. A successful filter reset is confirmed by a short flash of the red LED.

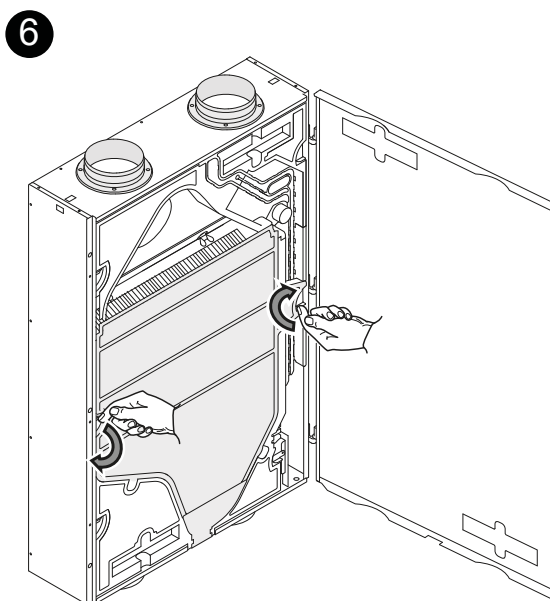


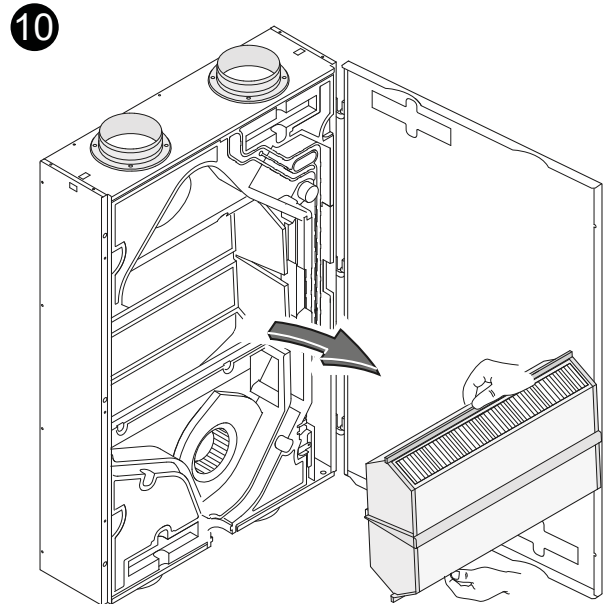
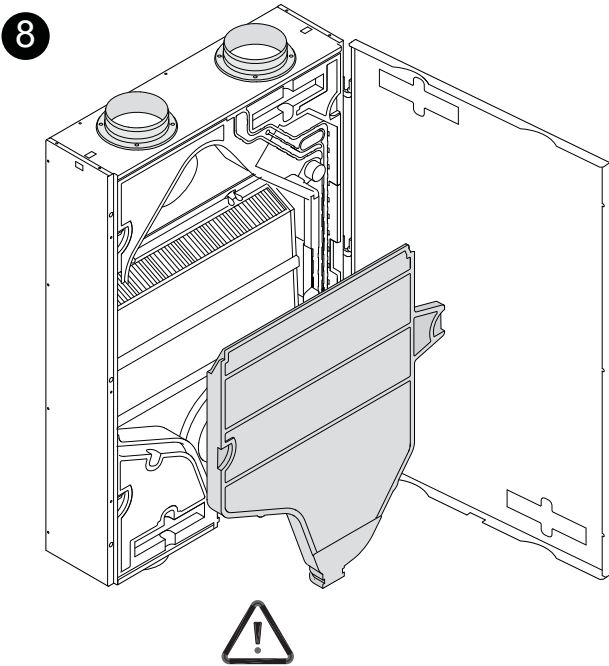
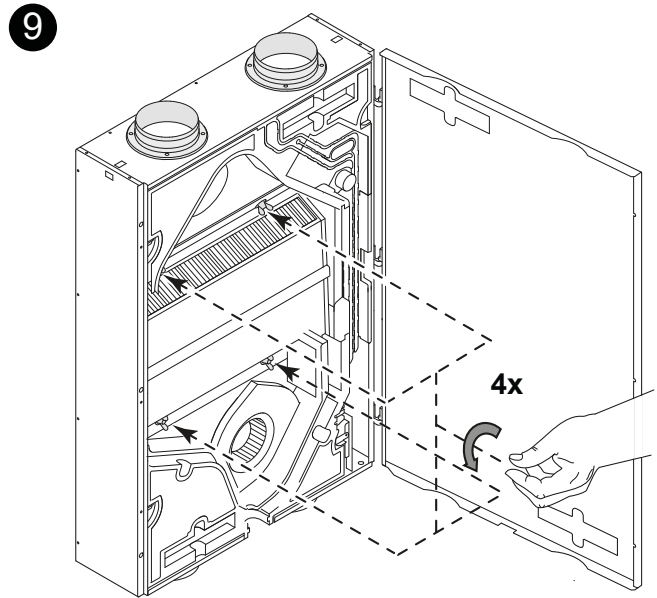
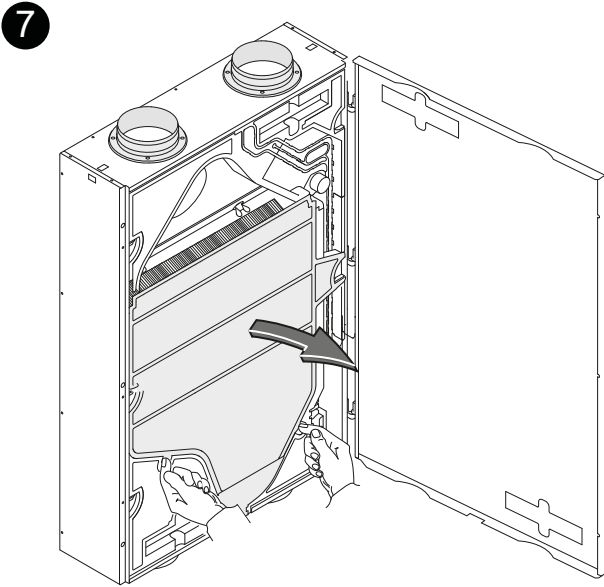
8.2 Maintenance installer

Installer maintenance includes cleaning the heat exchanger and fans. Dependent on the conditions, this must be done about once every three years.



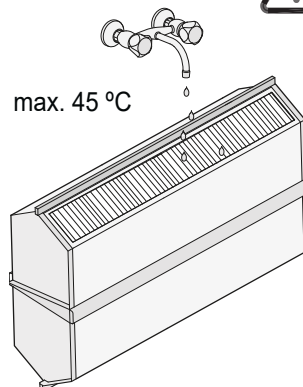
5 Swing open the front panel (can also be taken from the hinges, if required).

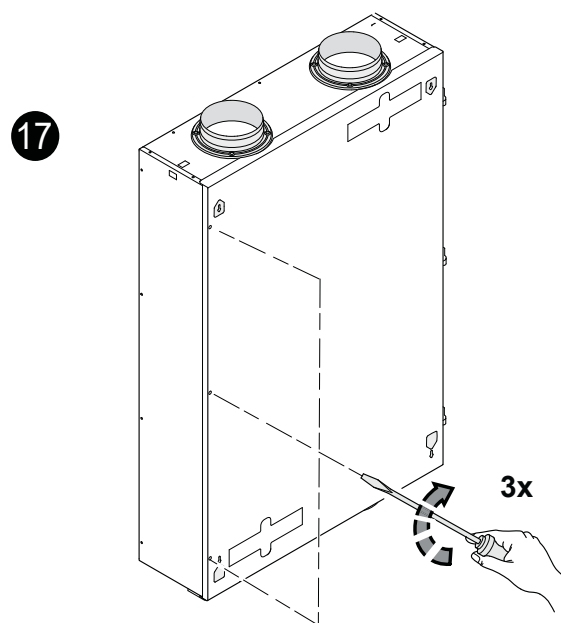
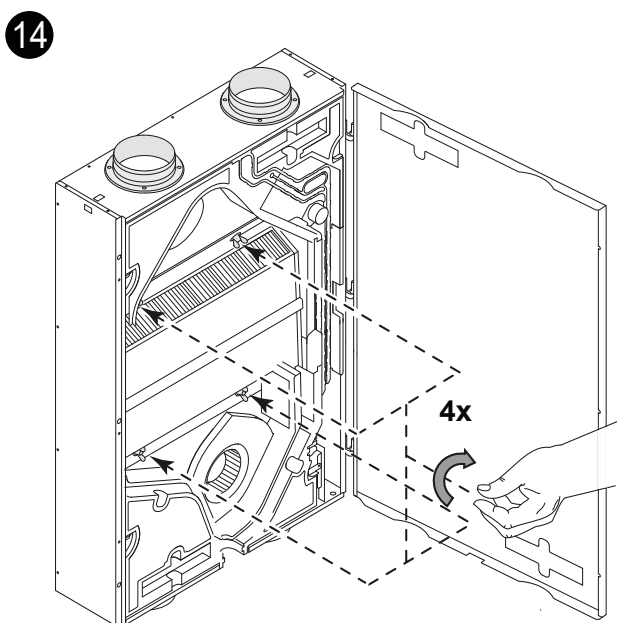
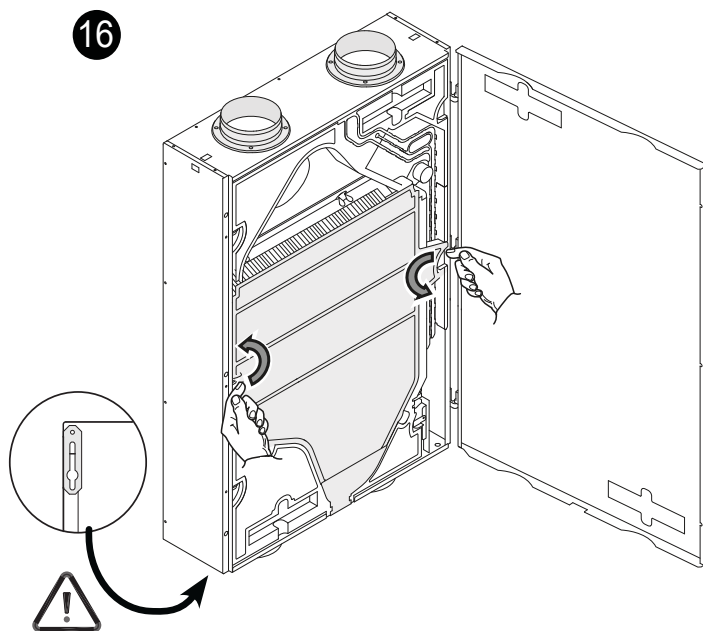
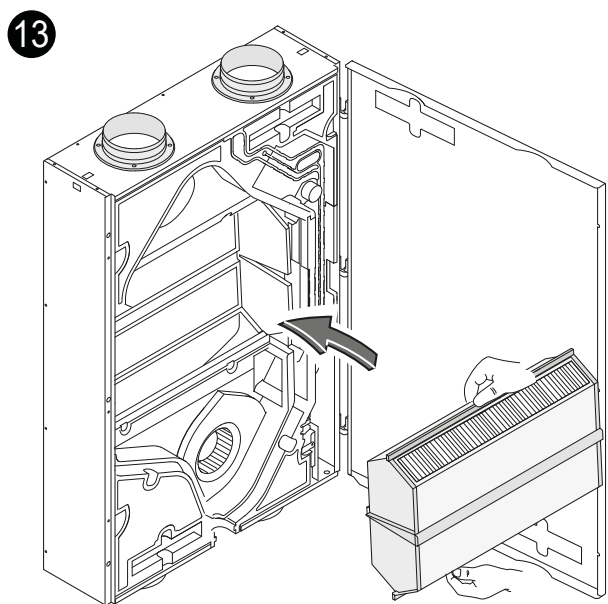
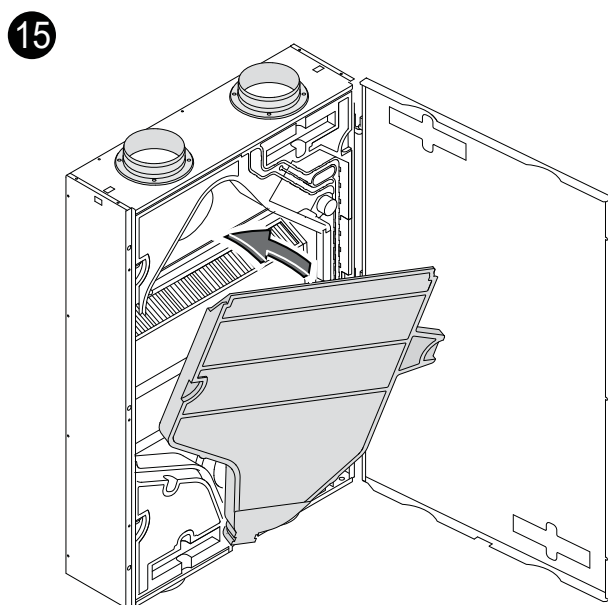
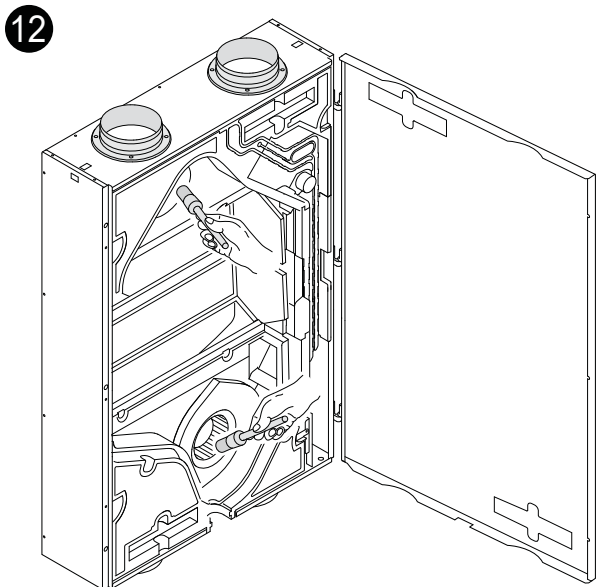




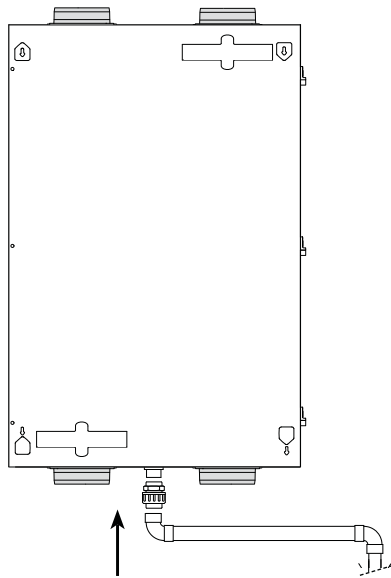
For ceiling mounting, carefully remove the condensate bin; there may still be some condensate left in the condensate bin!

11  Rinse the exchanger with hot water and a regular detergent.

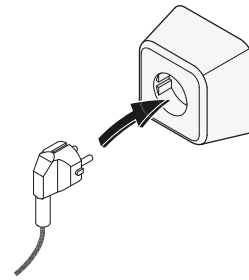




18

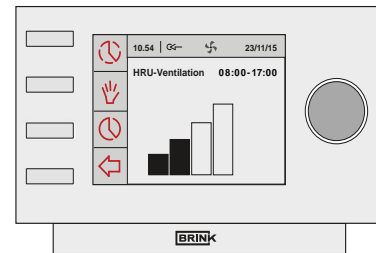
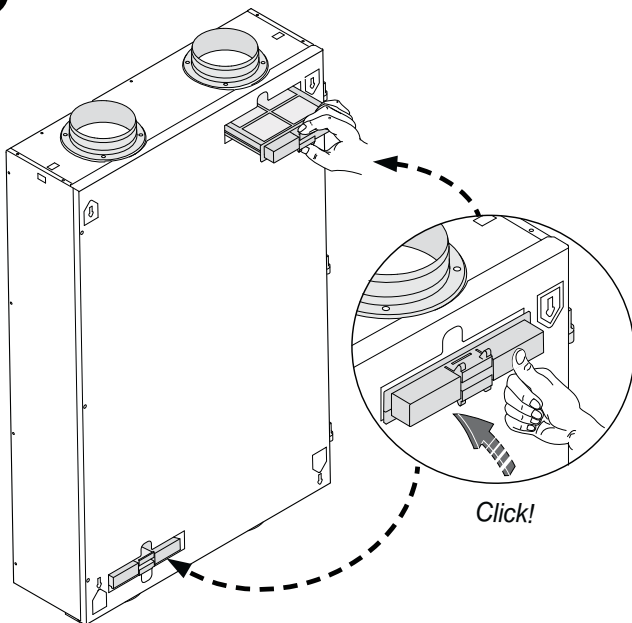


20



> ± 25 sec

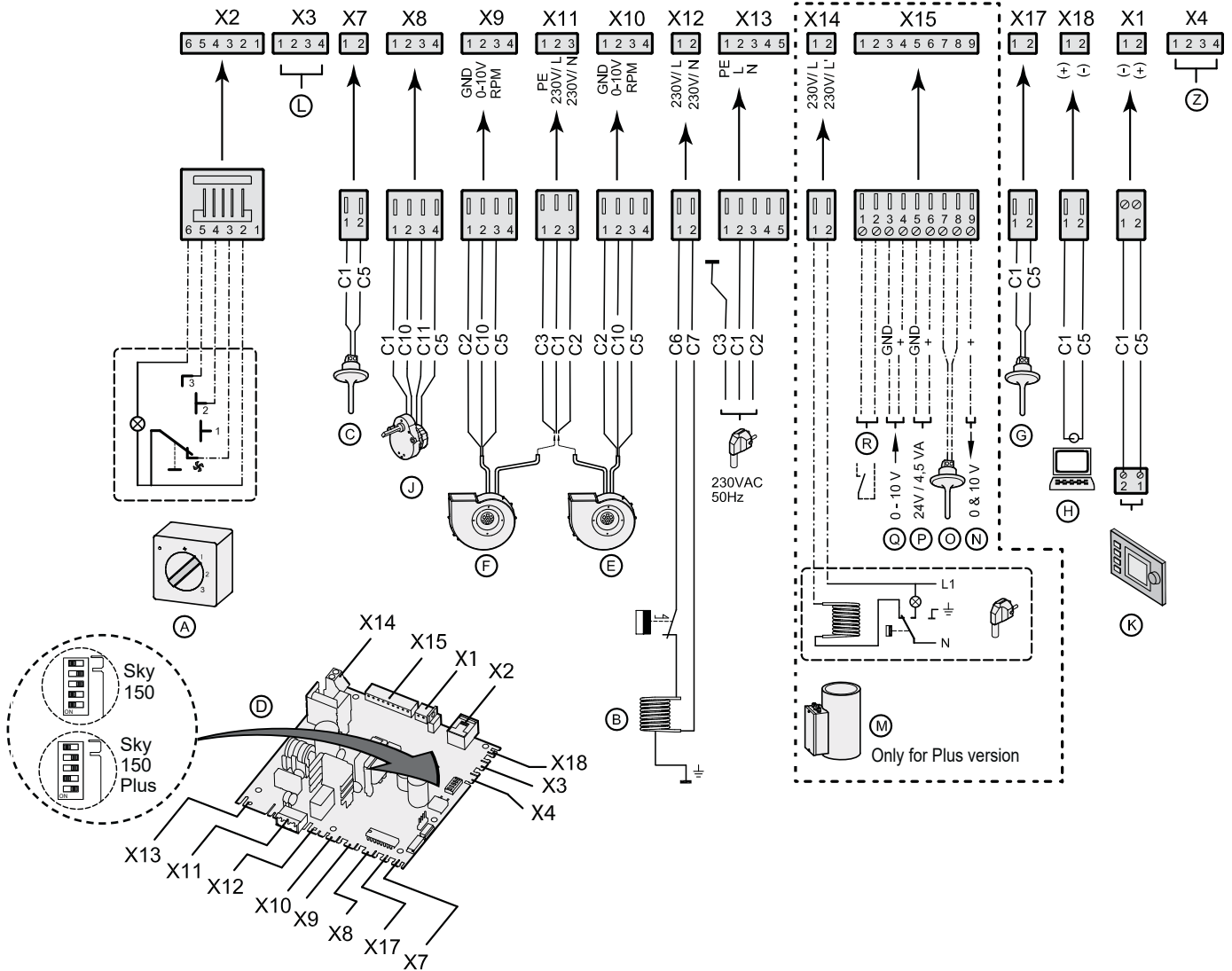
19



21

Filter reset; see §8.1 point 6
Press the Return key (↵) to leave any selected menu and the appliance will return to operating mode.

9 Wiring diagram

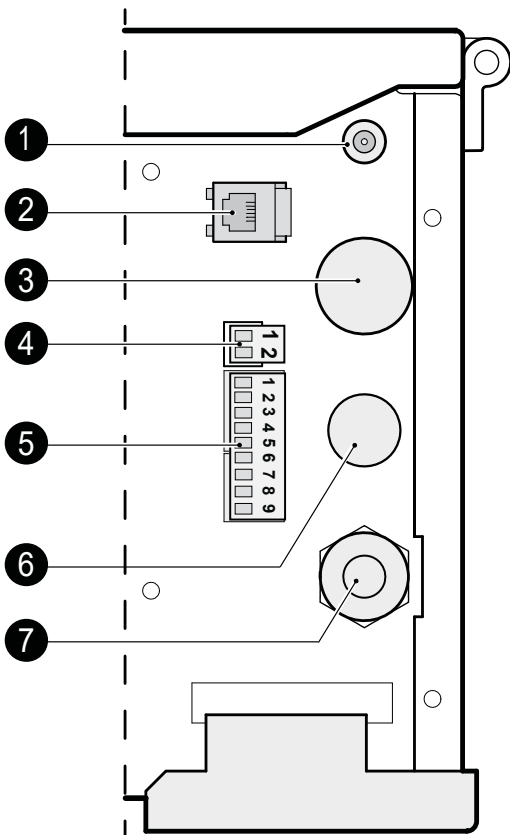


C1	C2	C3	C5	C6	C7	C10	C11
brown	blue	green/ yellow	white	nr.1	nr.2	green	yellow

A	B	C	D	E	F	G	H	J
multiple switch	pre-heater	outdoor temperature sensor	control board	supply fan	extract fan	Indoor temperature sensor	service connector	Motor bypass valve

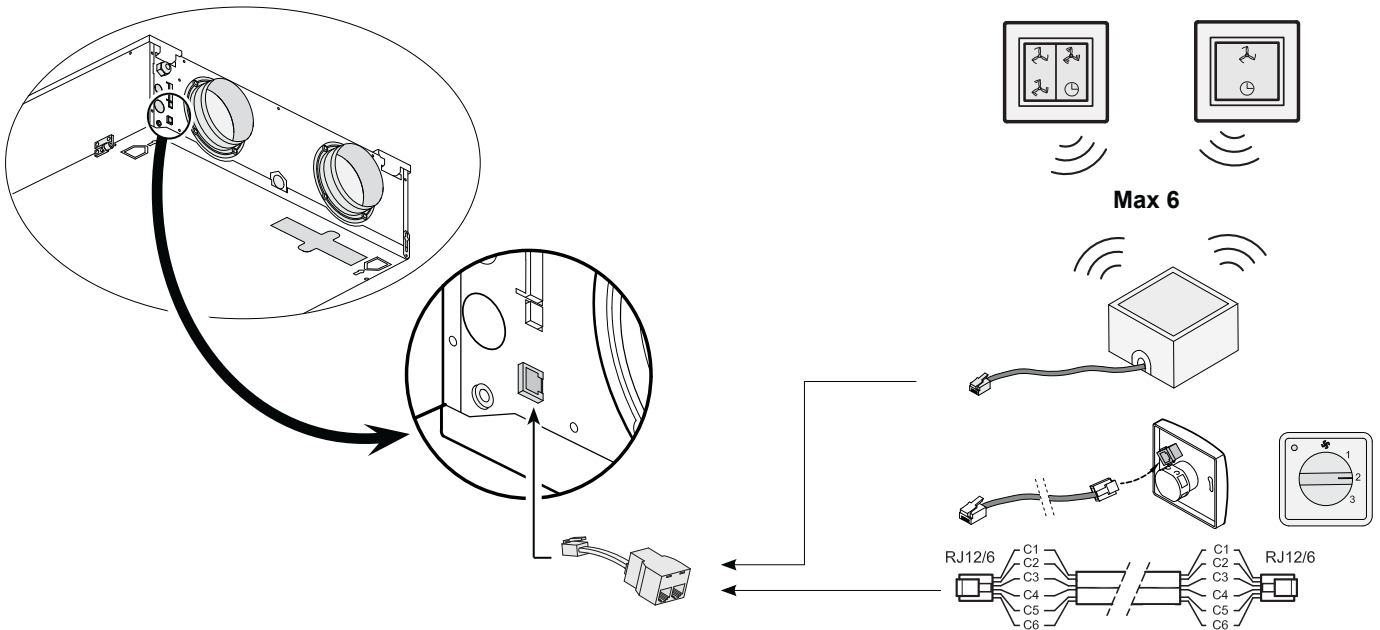
K	L	M	N	O	P	Q	R	Z
"Brink Air control" (optional)	not applicable	post-heater	output 0-10V	sensor post-heater	24V.	0-10 V input	external switch contact	RH-sensor (optional)

10.1 Connections connectors

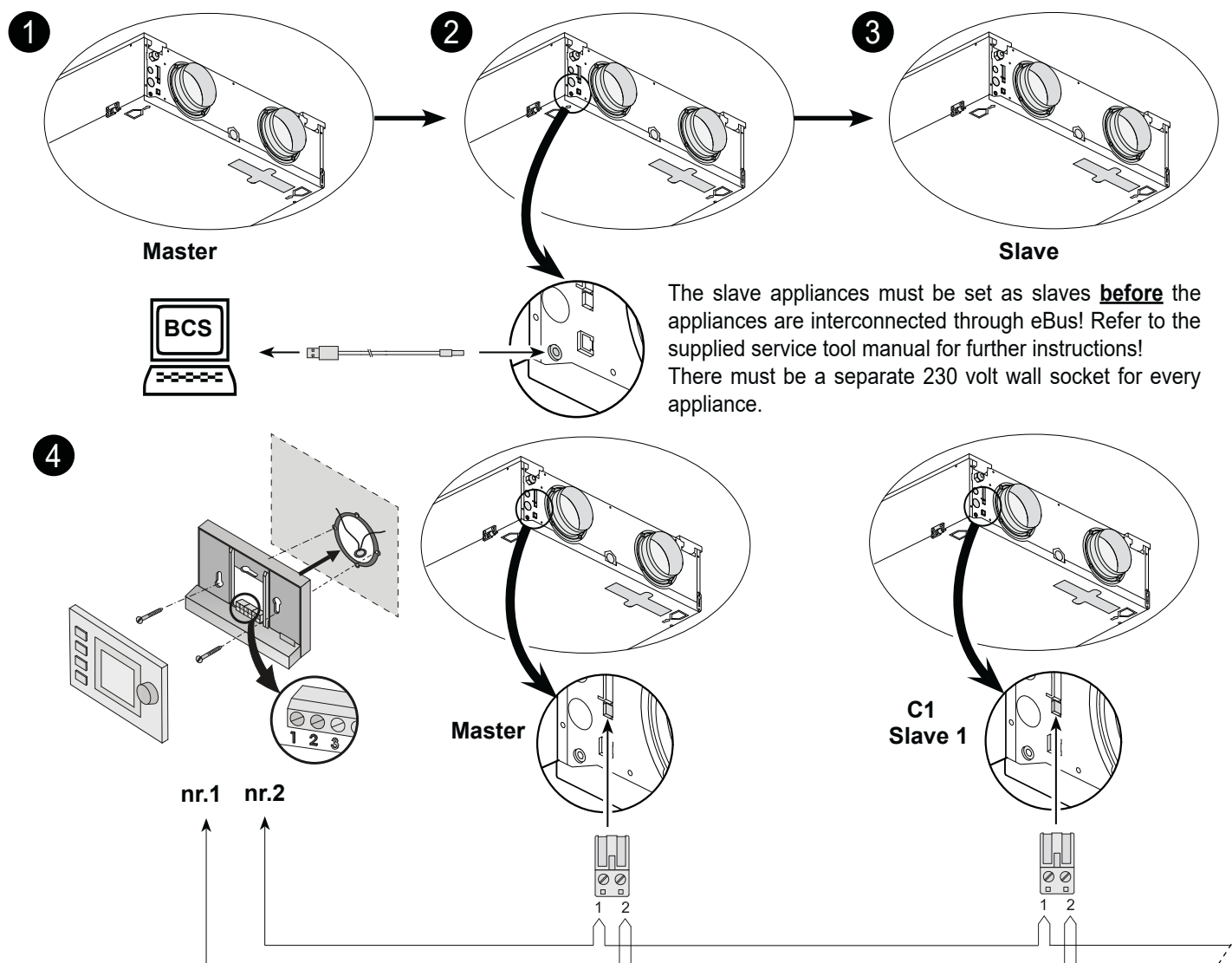


1	Service connector
2	Modular connector for rpm control
3	Additional cable feed option
4	EBus connector
5	Nine-pole screw connector (only for Plus version)
6	Cable feed option for postheater
7	Power plug 230V.

10.2 Connecting wireless remote control



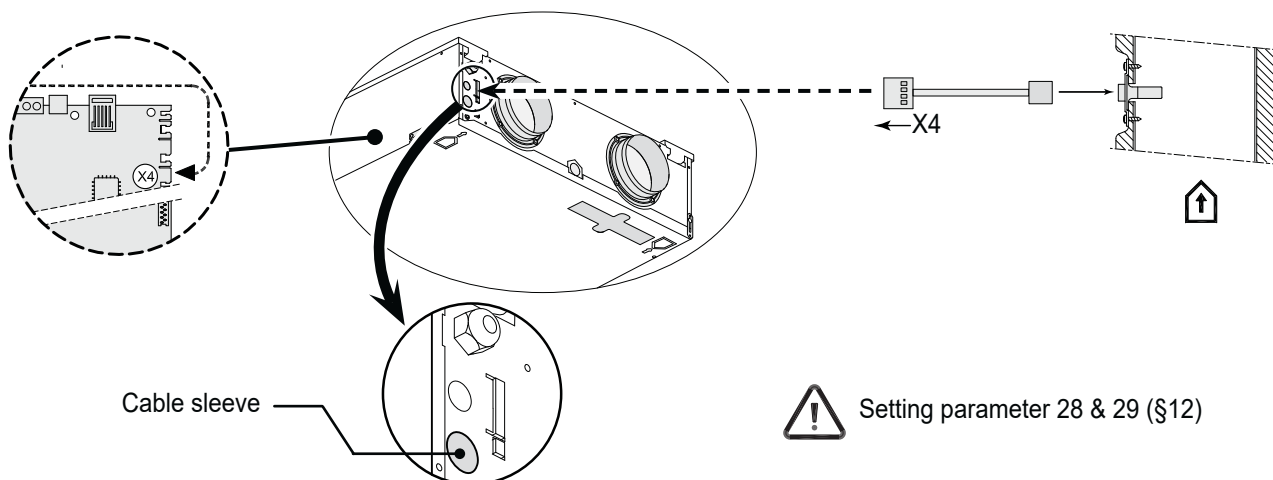
10.3 Coupling several Renovent Sky appliances



The slave appliances must be set as slaves **before** the appliances are interconnected through eBus! Refer to the supplied service tool manual for further instructions! There must be a separate 230 volt wall socket for every appliance.

! **Important:** Because of polarity sensitivity, always connect contacts X1-1 to X1-1 and contacts X1-2 to X1-2. Never connect X1-1 and X1-2. A maximum of 10 appliances (1 Master + 9 Slave max.)

10.4 Connection RH (humidity)-sensor

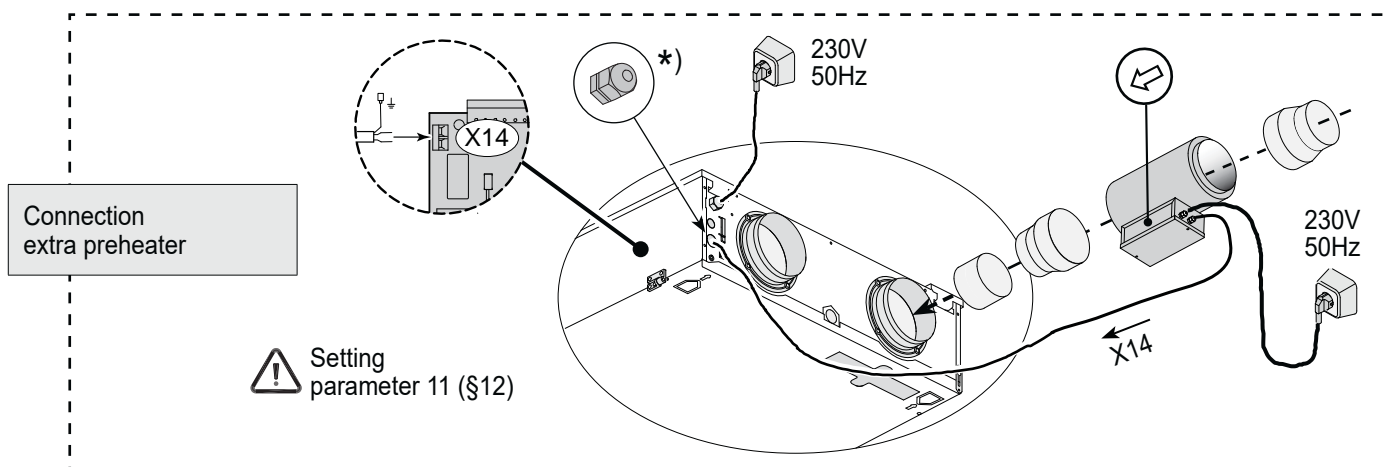
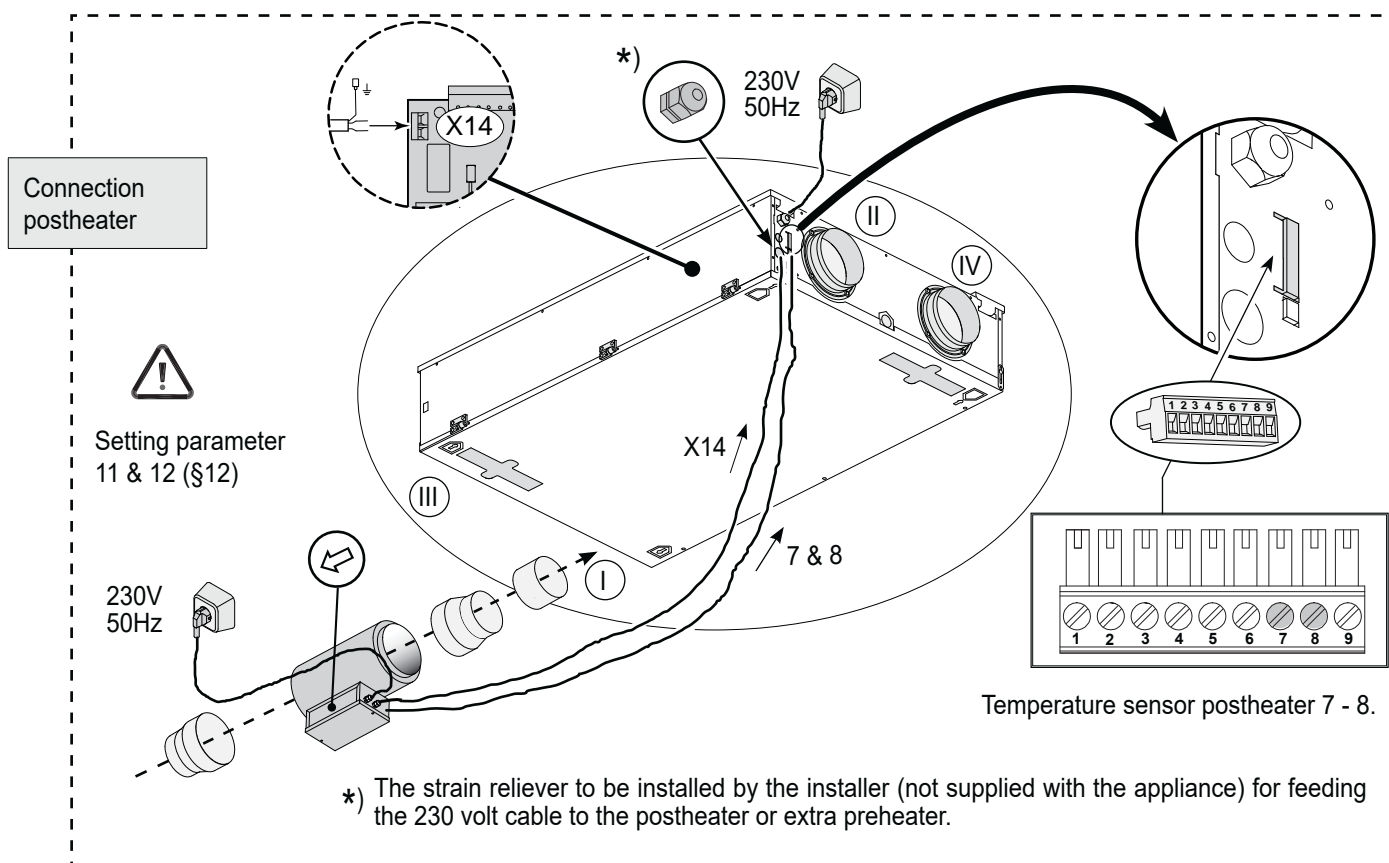
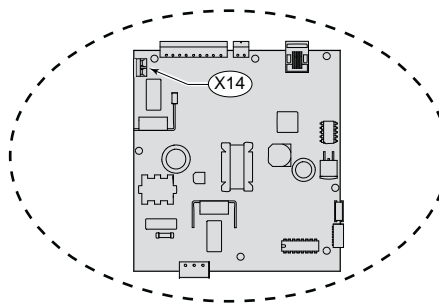


Setting parameter 28 & 29 (§12)

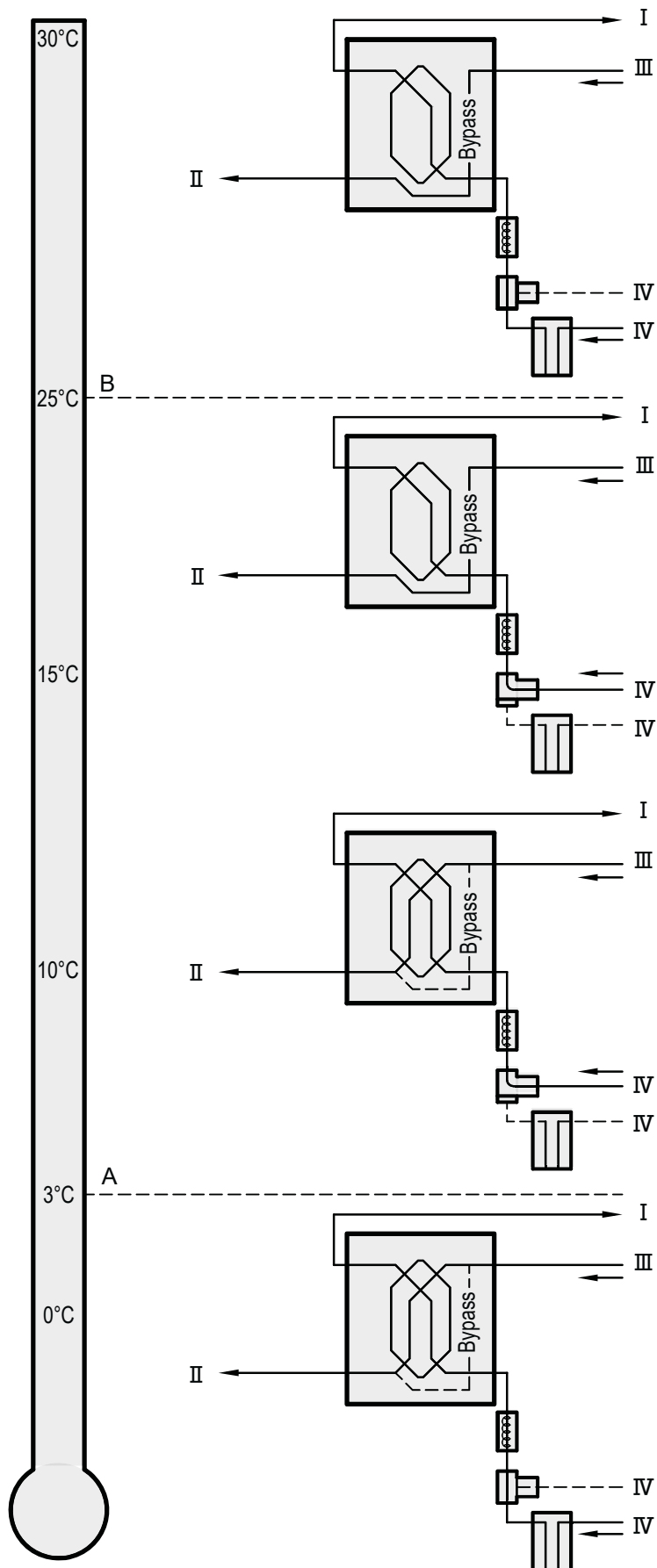
10.5 Connection postheater or extra preheater

The postheater or extra preheater (only possible for Renovent Sky Plus) are electrically connected to connector X14; just for a postheater there is also a temperature sensor that must be connected to no. 7 and 8 of the 9-pole connector that is only installed in the Plus version.

When using a postheater or extra preheater, step number 11 is applied (and for extra preheater also step number 12). Please refer to the mounting instructions that came with the heater for more extensive information regarding installation of the postheater or the extra preheater.



10.6 Connection geo heat exchanger



A	Minimum temperature
B	Maximum temperature
I	Supply air
II	Exhaust air
III	Extract air
IV	Outdoor air

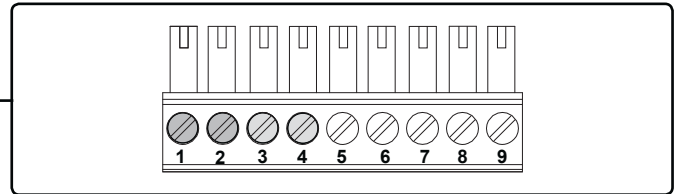
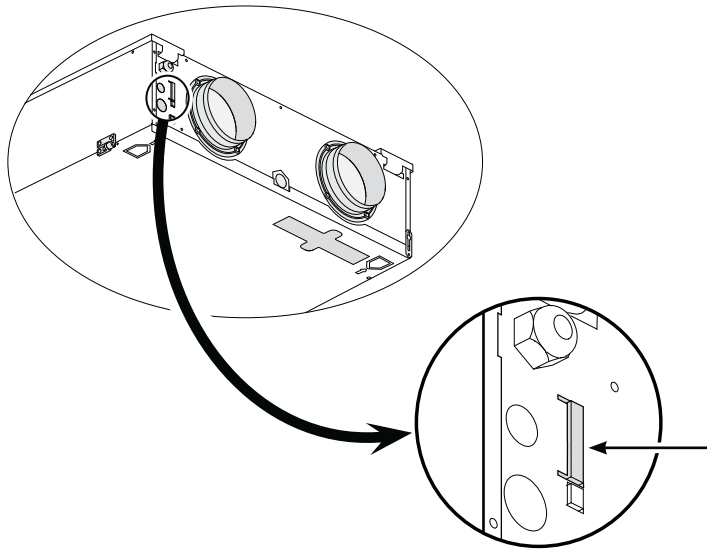


Setting parameter 25, 26 & 27 (§12)


10.7 Connecting external switch contact

An external switch contact (e.g. switch or relay contact) can be connected to the Renovent Sky Plus.

If a second input is required as external switch contact, if necessary connections no. 3 and no. 4 can be reprogrammed.



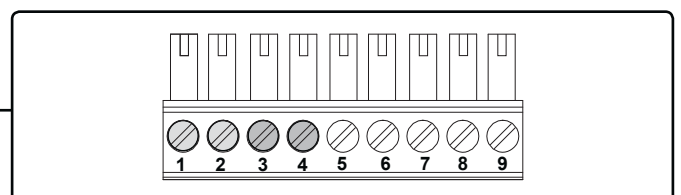
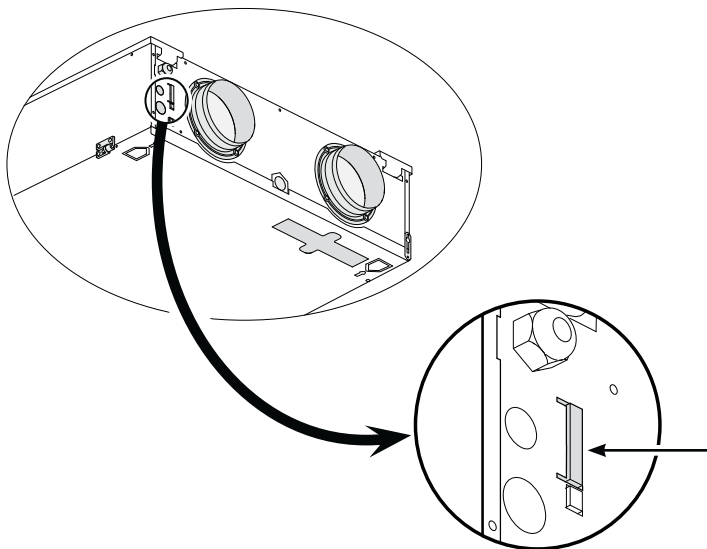
Connections no. 1 and no. 2 standard external switch contact; connections no. 3 and no. 4 can optionally be used as external switch contact as well.

 Setting parameter 16, 17 & 18 (§12)


10.8 Connection to 0-10 V input

The Renovent Sky Plus can be equipped with an external provision with 0-10 volt control.

Connections X15-3 and X15-4 are set as standard as 0 - 10 V input; it is activated as standard.



Connections no. 3 and no. 4 standard 0-10 volt input; connections no. 1 and no. 2 can optionally be used as 0-10 volt input as well.

 Setting parameter 19, 20 & 21 (§12)

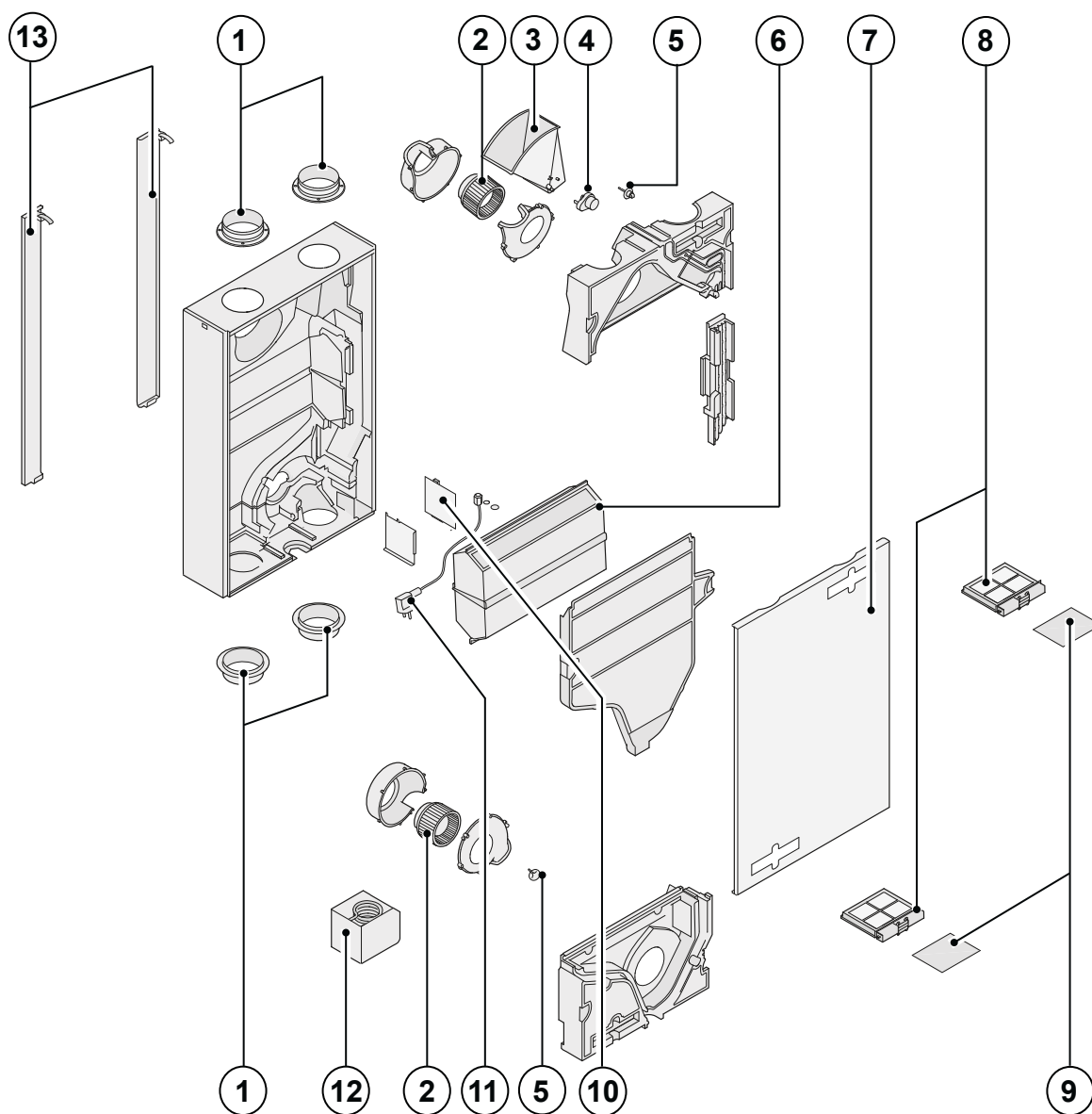
11.1 Exploded view

When ordering parts, in addition to the article code number (see exploded view), please state the type of the heat recovery appliance, the serial number, the year of production and the name of the part::

N. B.:
Appliance type, serial number and year of production are stated on the identification plate on the top of the appliance.

Example	
Appliance type	: Renovent Sky 150
Serial number	: 423000222301
Year of production	: 2022
Part	: Fan
Article code	: 533003
Qty	: 1

11.2 Service parts








Nr.	Description	Code
1	Air duct connections (4 pcs)	533004
2	Fan (1 pcs))	533003
3	Bypass valve	533008
4	Motor bypass valve	531778
5	Temperature sensor (1 pcs)	531775
6	Heat exchanger	532181
7	Front cover with hinges	533007
8	Filter holder set (2 pieces)	533005
9	Filter kit 2x ISO Coarse 60% (G4) filter (standard version)	533000
10	Control board (Plus version) When replacing, note the correct dip switch settings	531780
11	Cable with power plug 230 volt *	531782
12	Heating coil 375 W preheater	533020
13	Wall mounting bracket kit	532140

- * The mains cable has a print connector. When replacing it, always order a replacement mains cable Brink
To avoid dangerous situations, a damaged mains should only be replaced by a qualified person!

Modifications reserved

Brink Climate Systems B. V. continuously strives after improvement of products and reserves the right to change the specifications without prior notice.

STEP NO.	DESCRIPTION	FACTORY SETTING RENOVENT SKY	ADJUSTING RANGE	STEP
1	Air flow rate mode  / 	30 m ³ /h	0 m ³ /h or 30 m ³ /h	
2	Air flow rate mode 1 / 	75 m ³ /h	30 m ³ /h - 150 m ³ /h	5 m ³ /h
3	Air flow rate mode 2 / 	100 m ³ /h	30 m ³ /h - 150 m ³ /h	5 m ³ /h
4	Air flow rate mode 3 / 	125 m ³ /h	30 m ³ /h - 150 m ³ /h	5 m ³ /h
5	Bypass temperature	24,0 °C	15,0 °C - 35,0 °C	0,5 °C
6	Bypass hysteresis	2,0 °C	0,0 °C - 5,0 °C	0,5 °C
7	Operation bypass valve	0	0 (= Automatic) 1 (= Bypass valve closed) 2 (= Bypass valve open)	
8	Central heating + heat recovery	OFF	ON (= Central heating+heat recovery on) OFF (= Central heating+heat recovery off)	
9	Imbalance permissible	ON	OFF (= flow rate supply equals extract) ON (= imbalance permissible)	
10	Fixed imbalance	0 m ³ /h	-50 m ³ /h - 50 m ³ /h	1 m ³ /h
STEP NO.	DESCRIPTION	FACTORY SETTING RENOVENT SKY PLUS	ADJUSTING RANGE	STEP
11	Heater	0	0 (= no additional heater) 1 (= additional preheater) 2 (= postheater)	
12	Temperature postheater	21,0 °C	15,0 °C - 30,0 °C	0,5 °C
13	Selection input 1	0	0 (= normally open contact) 1 (= 0 - 10V input active) 2 (= normally closed contact) 3 (= input 1/ bypass open →12V; bypass closed →0V) 4 (= input 1/ bypass open →0V; bypass closed →12V)	
14	Minimum voltage input 1	0,0 V	0 Volt - 10 Volt	0,5 V
15	Maximum voltage input 1	10,0 V	0 Volt - 10 Volt	0,5 V
16	Conditions switching input 1	0	0 (= off) 1 (= on) 2 (= On if conditions bypass open satisfied) 3 (= Bypass control) 4 (= Bedroom valve)	
17	Supply fan mode switching input 1	5	0 (= Input fan off) 1 (= Absolute min. flow rate 30m ³ /h) 2 (= Flow rate mode 1) 3 (= Flow rate mode 2) 4 (= Flow rate mode 3) 5 (= Multiple switch) 6 (= Maximum flow rate) 7 (= No input fan activation)	
18	Extract fan mode switching input 1	5	0 (= Extract fan off) 1 (= Absolute min. flow rate 30 m ³ /h) 2 (= Flow rate mode 1) 3 (= Flow rate mode 2) 4 (= Flow rate mode 3) 5 (= Multiple switch) 6 (= Maximum flow rate) 7 (= No extract fan activation)	

STEP NO.	DESCRIPTION	FACTORY SETTING RENOVENT SKY PLUS	ADJUSTING RANGE	STEP
19	Selection input 2	1	0 (= normally open contact) 1 (= 0 - 10V input active) 2 (= normally closed contact) 3 (= input 2/ bypas open → 12V; bypass closed → V) 4 (= input 2/ bypas open → 0V; bypass closed → 12V)	
20	Minimum voltage input 2	0,0 V	0,0 Volt - 10,0 Volt	0,5 V
21	Maximum voltage input 2	10,0 V	0,0 Volt- 10,0 Volt	0,5 V
22	Conditions switching input 2	0	0 (= Off) 1 (= On) 2 (= On if conditions bypass open satisfied) 3 (= Bypass control) 4 (= Bedroom valve)	
23	Supply fan mode switching input 2	5	0 (= Input fan off) 1 (= Absolute min. flow rate 30 m ³ /h) 2 (= Flow rate mode 1) 3 (= Flow rate mode 2) 4 (= Flow rate mode 3) 5 (= Multiple switch) 6 (= Maximum flow rate) 7 (= No input fan activation)	
24	Extract fan mode switching input 2	5	0 (= Extract fan off) 1 (= Absolute min. flow rate 30m ³ /h) 2 (= Flow rate mode 1) 3 (= Flow rate mode 2) 4 (= Flow rate mode 3) 5 (= Multiple switch) 6 (= Maximum flow rate) 7 (= No extract fan activation)	
25	Geo heat exchanger	OFF	OFF (= Valve control geo heat exchanger off) ON (= Valve control geo heat exchanger on)	
26	Minimum temperature geo heat exchanger (Below this temperature the valve opens.)	5,0 °C	0,0 °C - 10,0 °C	0,5 °C
27	Maximum temperature geo heat exchanger (Above this temperature the valve opens.)	25,0 °C	15,0 °C - 40,0 °C	0,5 °C
STEP NO.	DESCRIPTION	FACTORY SETTING RENOVENT SKY	ADJUSTING RANGE	STEP
28	RH-sensor	OFF	OFF (= RH-sensor not active) ON (= RH-sensor active)	
29	Sensitivity RH-sensor	0	+2 most sensitive +1 ↑ 0 default setting RH-sensor -1 ↓ -2 least sensitive	

STEP NO.	DESCRIPTION	FACTORY SETTING RENOVENT SKY PLUS	ADJUSTING RANGE	STEP
35	Switching on and off eBus CO ₂ sensor	OFF	ON - OFF	-
36	Min. PPM eBus CO ₂ -sensor 1	400	400-2000	25
37	Max. PPM eBus CO ₂ -sensor 1	1200		
38	Min. PPM eBus CO ₂ -sensor 2	400		
39	Max. PPM eBus CO ₂ -sensor 2	1200		
40	Min. PPM eBus CO ₂ -sensor 3	400		
41	Max. PPM eBus CO ₂ -sensor 3	1200		
42	Min. PPM eBus CO ₂ -sensor 4	400		
43	Max. PPM eBus CO ₂ -sensor 4	1200		
44	Flow correction	100%	90% - 110%	%
45	Default position switch	1	0 - 1	-

STEP NO.	DESCRIPTION	FACTORY SETTING RENOVENT SKY	ADJUSTING RANGE	STEP
46	Brink Connect	1	1 Brink Connect function (external, Brink connect no RH sensor) 3 Brink Connect (internal)	

Productdatasheet conform Ecodesign (EU), nr. 1254/2014 (Annex IV)					
Supplier:		Brink Climate Systems B.V.			
Model:		Renovent Sky 150 (Plus)			
Climate zone	Type of control	SEC-Value in kWh/m ² /a	Energyclass (SEC)	The annual electricity consumption (AEC) in kWh	The annual heating saved (AHS) in kWh
Average	Manual	-36,59	A	383	4550
	Clock	-37,59	A	350	4568
	1 Sensor (RH/CO ₂ /VOC)	-39,47	A	289	4603
	2 or more Sensors (RH/CO ₂ /VOC)	-42,70	A+	188	4673
Cold	Manua	-74,74	A+	920	8901
	Clock	-75,90	A+	887	8935
	1 Sensor (RH/CO ₂ /VOC)	-78,11	A+	826	9004
	2 or more Sensors (RH/CO ₂ /VOC)	-82,02	A+	725	9141
Warm	Manua	-12,12	E	338	2057
	Clock	-13,02	E	305	2065
	1 Sensor (RH/CO ₂ /VOC)	-14,70	E	244	2081
	2 or more Sensors (RH/CO ₂ /VOC)	-17,56	E	143	2113
Type of ventilation unit:		Ventilation unit with heat recovery			
Fan:		Variable speed EC fan			
Type of heat exchanger:		Recuperative plastic cross-counterflow heatexchanger			
Thermal efficiency:		89%			
Maximum flow rate:		150 m ³ /h			
Electric power input:		72 W			
Sound power level Lwa:		38 dB(A)			
Reference flow rate :		105 m ³ /h			
Reference pressure difference:		50 Pa			
Specific Power Input (SEL)*:		0,27 Wh/m ³			
Control factor:		1,0 in combination with manual switch			
		0,95 in combination with Brink Air Control			
		0,85 in combination with 1 sensor			
		0,65 in combination with 2 or more sensors			
Leakage*:	Internal	0,9%			
	External	2,3%			
Filterwarning:		On the Manual switch / clock control. Attention! For optimal energy efficiency and a proper operation a regular filter inspection, cleaning or replacement is necessary.			
Internet address for Assembly instructions:		http://www.brinkclimatesystems.nl/support/downloads			
Bypass:		Yes; 100% bypass			

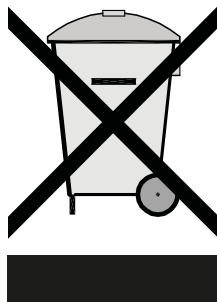
* Measurements executed by TZWL according to the EN13141-7 standard (TZWL-report M.85.07.200.AG, 14-10-2015)

Classification from 1 January 2016	
SEC Class („Average climate“)	SEC in kWh/m ² /a
A+ (Most efficient)	SEC < -42
A	-42 ≤ SEC < -34
B	-34 ≤ SEC < -26
C	-26 ≤ SEC < -23
D	-23 ≤ SEC < -20
E (Least efficient)	-20 ≤ SEC < -10

Recycling

Sustainable materials are used in the manufacture of this appliance.

The packaging should be disposed of in a responsible manner and in accordance with governmental regulations.



WWW.BRINKAIRFORLIFE.NL

BRINK

Air for life

BRINK CLIMATE SYSTEMS B.V.

P.O.Box 11 NL-7950 AA Staphorst The Netherlands
Wethouder Wassebaliestraat 8 7951SN Staphorst The Netherlands
T. +31 (0) 522 46 99 44
F. +31 (0) 522 46 94 00
info@brinkclimatesystems.nl
www.brinkclimatesystems.nl